

2016-17

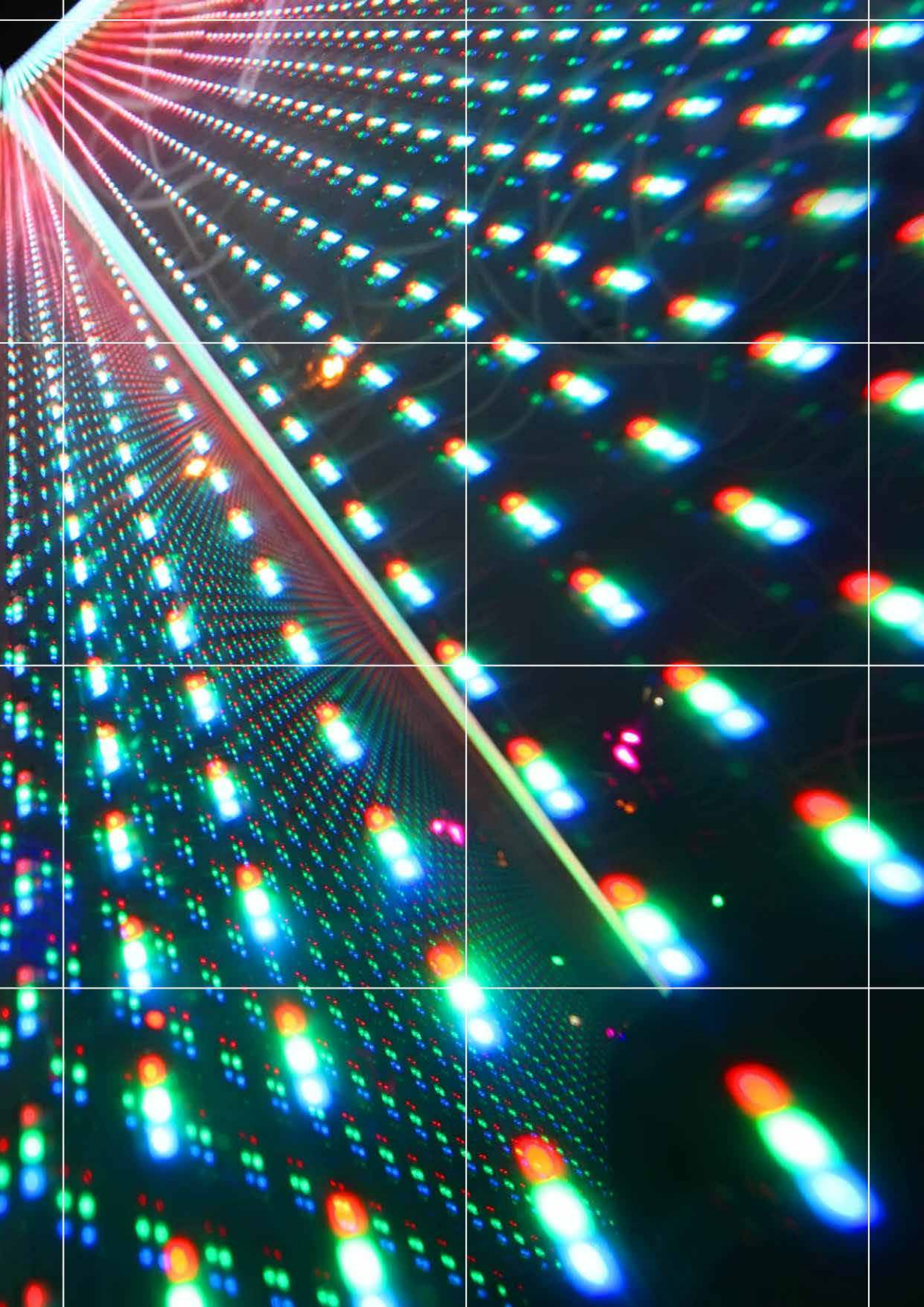
PRODUCT CATALOGUE

LED

LIGHTING



LIGHTING SOLUTIONS
FOR LIFE TIME



PROFILE

With over 30 years of experience in the lighting and electrical industry, Light-tek has evolved as one of the leading lighting and electrical manufacturer and supplier in the global lighting industry. We cater to a vast customer base in over 65 markets in Europe, Middle East and Africa. Our efforts to provide the end user with high quality products, cutting edge technology and regularly upgrading our product design have well reflected in our sales upsurge both in the local and export markets, with exports accounting for over 50% of the company's turnover.

Light-tek prides in establishing as a premier manufacturer and a preferred business partner in the global lighting industry by maintaining high quality, integrity and all major international quality certifications and approvals. Our diverse design and product portfolio, backed with vast stocking capacity and timely delivery have further strengthened our market presence. Furthermore Light-tek manufactures and supplies lighting systems for specific projects' design and requirement to meet the escalating demands of the industry.

PRODUCT LINE

LED

- Downlights
- Panel Lights
- Lamps & Bulbs
- Strip Lights
- Led Battens
- Led Weather Proof
- Flood Lights
- Ground Lights
- Industrial Lights
- Street Lights
- Pendants & Decorative Lights
- Indoor Lighting
- Led Track Lights
- Led Aluminium Profiles
- Led Modules
- Led Neon Flex

LIGHTING

- Outdoor Wall And Ceiling Lighting
- Flood Lighting
- Street Lighting
- Amenity Lighting
- Hazardous Area Lighting
- Industrial Lighting
- Commercial And Office Lighting
- Decorative Pendants
- Lamps & Bulbs

NETWORK

Light-tek is strategically present in Portugal, United Arab Emirates, Mozambique and with a vast international dealer network in twenty four cities across Europe, Middle East and Africa.

WARRANTY

Light-tek products are supplied with standard 3 - 10 year warranty.

Product Finder – LED

Downlights - Page No. 07 - 21



Terra Series
Page 08



Rezi Series
Page 09



Ecolux Series
Page 10



Superlux Series
Page 11



Scoop Series
Page 12



Titan AR111 Series
Page 13



Trada Series
Page 14



Planula Series
Page 15



Radiance Series
Page 16



Tamo Series
Page 17



Tissi Series
Page 18



Tamo Surface Series
Page 19



Tissi Surface Series
Page 20



Lustria Series
Page 21

Panel Lights - Page No. 22 - 26



Aspect Series 1
Page 23



Aspect Series 2
Page 24



Aspect Series 3
Page 25



Aspect Series 4
Page 26

Lamps & Bulbs - Page No. 27 - 37



Master Spot Series
Page 28



Eco Plus Series
Page 29



Eco Line Series
Page 30



Saver Plus Series
Page 31



Filament Series
Page 32



Canitie Series
Page 33



LED CFL Series
Page 34



Corn Series
Page 35



Tubac Series
Page 36



LED T8 Series
Page 37

Strip Lights - Page No. 38 - 41



Luna Series 1
Page 39



Luna Series 2
Page 40



Moon Series
Page 41

Battens - Page No. 42 - 44



Stratto Series 2
Page 43



LED Maxweather Series
Page 44

Flood Lights - Page No. 45 - 47



Storme Series 1
Page 46



Storme Series 2
Page 47

Product Finder – LED

Ground Lights - Page No. 48 - 49



Tierra LED Series
Page 49

Industrial & Street Lights - Page No. 50 - 54



Lectronik Series
Page 51



Ecovia Series
Page 53



Matrix Series
Page 54

Neon Flex - Page No. 55 - 56



Neon Flex Series
Page 56

Modules - Page No. 57 - 58



Infusion Series
Page 58

Track Lights - Page No. 59 - 69



Contempo Series
Page 60



Eco Track Series
Page 61



Robus Series
Page 62



Robos Series 2
Page 63



Lumina Series
Page 64



Marsel Series
Page 65



Marsel Series 2
Page 66



Visio Series
Page 67



Basic Series
Page 68



Odissej Series
Page 69

Aluminium Profiles - Page No. 70 - 77



Linealuz Series 1
Page 71



Linealuz Series 2
Page 72



Linealuz Series 3
Page 73



Linealuz Series 4
Page 74



Linealuz Series 5
Page 75



Linealuz Series 6
Page 76



Linealuz Series 7
Page 77

Pendants & Decorative Lights - Page No. 78 - 87



Orbit Series
Page 79



Orbit Series 2
Page 80



Orbit Series 3
Page 81



Goldenet Series
Page 82



Infinity Series
Page 83



Infinity Series 2
Page 84



Infinity Series 3
Page 85



Astro Series
Page 86

Product Finder – LIGHTING

Outdoor Lights - Page No. 89 - 113



Aeghan Series
Page 90



Alchemio Series
Page 91



Argos Series
Page 92



Arta Series
Page 93



Artamis Series
Page 94



Attica Series
Page 95



Bassum Series
Page 96



Berka Round Light
Page 97



Berka Oval Series
Page 98



Egaleu Series
Page 99



Galatsi Series
Page 100



Gazzichi Series
Page 101



Giannitsa Series
Page 102



Halver Series
Page 103



Kos Series
Page 104



Lombardi Series
Page 105



Modica Series
Page 106



Orion Series
Page 107



Pirio Series
Page 108



Pyrgos Series
Page 109



Sparta Light
Page 110



Tavros Series
Page 111



Thebes Series
Page 112



Rhodes & Veria Series
Page 113



Vinissa Series
Page 114

Flood Lights - Page No. 115 - 119



Stella Series
Page 116



Stella Series 2
Page 117



Omega Series
Page 118



Stadiamax Series
Page 119

Street Lights - Page No. 120 - 123



T5 Masterlite Series
Page 121



Ilkuzi Series
Page 122



Maxistrada Series
Page 123

Amenity Lights - Page No. 124 - 129



Bolzano Series
Page 125



Modena Series
Page 126



Veneza Series
Page 127



Verdure Series
Page 128



Madrid Series
Page 129

Hazardous Area Lights - Page No. 130 - 134



Cubix Canopy Series
Page 131



Protezzio Series
Page 132



Maxi Canopy Series
Page 133



Maxi Canopy 2 Series
Page 134

Product Finder – LIGHTING

Industrial Lights - Page No. 135 - 138



Icarus Series
Page 136



Magazzino Series
Page 137



Magazzino Series 2
Page 138

Commercial Lights - Page No. 139 - 150



Lumis Series
Page 140



Quartzo Series
Page 141



Strat Series
Page 142



Quartzo Series 2
Page 143



Vici Series
Page 144



Vici Series 2
Page 145



Vici Series 3
Page 146



Arco
Page 147



Saturn Series 2
Page 148



Spacio Series
Page 149



Spectra Series
Page 150

Battens & Frames - Page No. 151 - 154



Strette Series
Page 152



Maxweather Series
Page 153



Halo Spot Series
Page 154

Pendants - Page No. 155 - 159



Austral Series
Page 156



Mag Series
Page 157



Float Series
Page 158



Preciosa Series
Page 159

Lamps & Bulbs - Page No. 160 - 168



CFL 3U Series
Page 161



CFL Spiral Series
Page 162



Flourescent Series
Page 163



PL Series
Page 164



PLL Series
Page 165



Halo Series
Page 166



Halospot Series
Page 167



Halomini Series
Page 168

Magnetic & Electronic Ballast - Page No. 169 - 171



Electronic Ballast
& Emergency Kit
Page 170



Magnetic Ballast
Page 171

LED

Explore our wide array of innovative LED products.



LED



Downlights

TARMA SERIES

LED recessed downlight

Product Description

Recessed type LED COB downlight, Average lifetime : 30000h.

IP20 rated

LED driver included

Aluminium heatsink provides excellent heat dissipation

Aluminium body equipped with spring clips

Aluminium pure anodized reflector

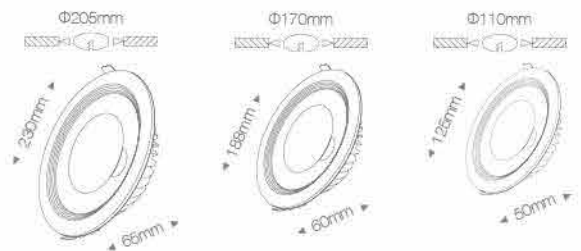


Design Application

Home, office, Corridor, Halls, reception, meeting rooms, hospitals, schools, shops, laboratory, kitchens etc.

Installation

Recessed mounted.



LED Driver: 220V, 230V, 240V, 50Hz, 60Hz, IP20, I, F, CE, TRIDONIS Driver, DIMMABLE Driver

Product Range and Reference

Model	Led Type	Watt	Voltage	CCT	Dimension	Luminous Flux	IP Grade	CRI	Material
50257	COB	10W	220-240V	6500K	125 x 50	1000 lm	IP20	>75	Aluminium + Glass
50258	COB	10W	220-240V	3500K	125 x 50	1000 lm	IP20	>75	Aluminium + Glass
50254	COB	20W	220-240V	6500K	188 x 60	2100 lm	IP20	>75	Aluminium + Glass
50255	COB	20W	220-240V	3500K	188 x 60	2100 lm	IP20	>75	Aluminium + Glass
60251	COB	30W	220-240V	6500K	230 x 65	2900 lm	IP20	>75	Aluminium + Glass
50252	COB	30W	220-240V	3500K	230 x 65	2900 lm	IP20	>75	Aluminium + Glass

REZI SERIES

LED recessed downlight

Product Description

Housing

High purity aluminium die cast material, efficient heatsink design provides excellent heat dissipation.

Source

LED modular COB chip provides high brightness, low energy consumption and life time of up to 30000 Hours.

Driver

Constant current LED driver included. PB and HG free, environment friendly.

Reflector

High purity aluminium reflector inside the module provides wide light distribution and high brightness.



60297



60294



60291



60277



60274



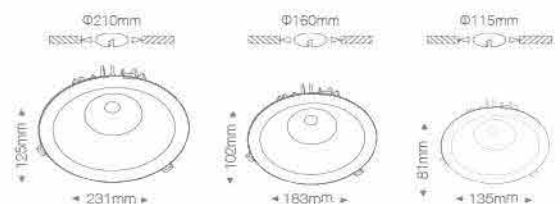
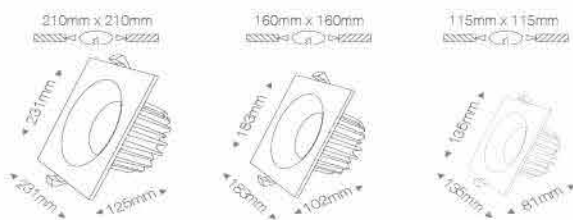
60271

Design Application

Home, office, Corridor, Halls, reception, meeting rooms, hospitals, schools, shops, laboratory, kitchens etc.

Installation

Recessed mounted.



LED Driver 220V 230V 240V 50Hz 60Hz IP20 I F CE **OPTIONS** TRIDONIC Driver DIMMABLE Driver

Product Range and Reference

Model	Power	Voltage	CRI	Colour Temp	Luminous Flux	Dimension	Material	Beam Angle
50 271	12W	100-240V	>80	6500K	1020	135 x 81 x 115	Aluminum	46 Degree
50 272	12W	100-240V	>80	3000K	1000	135 x 81 x 115	Aluminum	46 Degree
50 274	25W	100-240V	>80	6500K	2200	183 x 102 x 160	Aluminum	46 Degree
50 275	25W	100-240V	>80	3000K	2150	183 x 102 x 160	Aluminum	46 Degree
50 277	35W	100-240V	>80	6500K	3000	231 x 125 x 210	Aluminum	46 Degree
50 278	35W	100-240V	>80	3000K	2900	231 x 125 x 210	Aluminum	46 Degree
50 291	12W	100-240V	>80	6500K	1020	135 x 135 x 81	Aluminum	46 Degree
50 292	12W	100-240V	>80	3000K	1000	135 x 135 x 81	Aluminum	46 Degree
50 294	25W	100-240V	>80	6500K	2200	183 x 183 x 102	Aluminum	46 Degree
50 295	25W	100-240V	>80	3000K	2150	183 x 183 x 102	Aluminum	46 Degree
50 297	35W	100-240V	>80	6500K	3000	231 x 231 x 125	Aluminum	46 Degree
50 298	35W	100-240V	>80	3000K	2900	231 x 231 x 125	Aluminum	46 Degree

ECOLUX SERIES

LED recessed downlight

Product Description

Housing

High purity aluminium die cast material, efficient heatsink design provides excellent heat dissipation.

Source

LED COB chip provides high brightness, low energy consumption and life time of up to 30000 Hours.

Driver

Constant current LED driver included. PB and HG free, environment friendly.

Reflector

High purity aluminium reflector provides wide light distribution and high brightness.

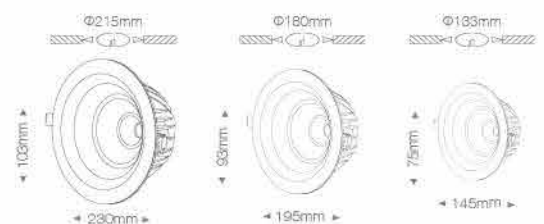
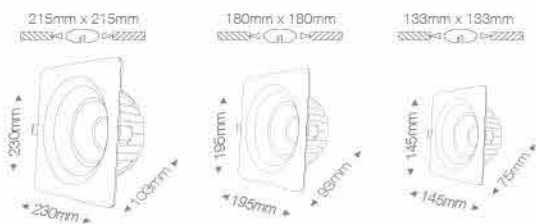


Design Application

Home, office, Corridor, Halls, reception, meeting rooms, hospitals, schools, shops, laboratory, kitchens etc.

Installation

Recessed mounted.



LED Driver 220V 230V 240V 50Hz 60Hz IP20 I F CE **OPTIONS** TRIDONIC Driver DIMMABLE Driver

Product Range and Reference

Model	Power	Voltage	CRI	Colour Temp.	Luminous Flux	Dimension	Material	Beam Angle
50.291	15W	100-240V	≥80	6500K	1200	145 x 75 x 133	Aluminum	46 Degree
50.292	15W	100-240V	≥80	3000K	1200	145 x 75 x 133	Aluminum	46 Degree
50.294	20W	100-240V	≥80	6500K	2000	195 x 93 x 180	Aluminum	46 Degree
50.296	20W	100-240V	≥80	3000K	2000	195 x 93 x 180	Aluminum	46 Degree
50.297	50W	100-240V	≥80	6500K	3900	230 x 103 x 215	Aluminum	46 Degree
50.298	50W	100-240V	≥80	3000K	3900	230 x 103 x 215	Aluminum	46 Degree
50.390	15W	100-240V	≥80	6500K	1200	145 x 145 x 75	Aluminum	46 Degree
50.391	15W	100-240V	≥80	3000K	1200	145 x 145 x 75	Aluminum	46 Degree
50.393	20W	100-240V	≥80	6500K	2000	195 x 195 x 93	Aluminum	46 Degree
50.394	20W	100-240V	≥80	3000K	2000	195 x 195 x 93	Aluminum	46 Degree
50.396	50W	100-240V	≥80	6500K	3900	230 x 230 x 103	Aluminum	46 Degree
50.397	50W	100-240V	≥80	3000K	3900	230 x 230 x 103	Aluminum	46 Degree

SUPERLUX SERIES

LED recessed downlight

Product Description

Housing

High purity aluminium die cast material, efficient heatsink design provides excellent heat dissipation.

Source

LED COB chip provides high brightness, low energy consumption and life time of up to 30000 Hours.

Driver

Constant current LED driver included.
PB and HG free, environment friendly.

Reflector

High purity aluminium matt reflector provides wide light distribution and high brightness.

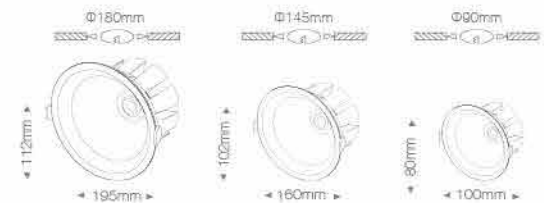
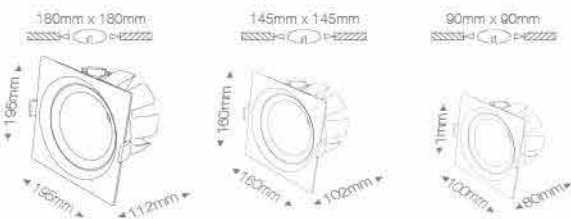


Design Application

Home, office, Corridor, Halls, reception, meeting rooms, hospitals, schools, shops, laboratory, kitchens etc.

Installation

Recessed mounted.



OPTIONS



Product Range and Reference

Model	Power	Voltage	CRI	Colour Temp.	Luminous Flux	Dimension	Material	Beam Angle
50.330	12W	100-240V	≥80	6500K	800	100 x 80 x 90	Aluminum	62 Degree
50.331	12W	100-240V	≥80	3000K	800	100 x 80 x 90	Aluminum	62 Degree
50.333	20W	100-240V	≥80	6500K	1600	160 x 102 x 145	Aluminum	62 Degree
50.334	20W	100-240V	≥80	3000K	1600	160 x 102 x 145	Aluminum	62 Degree
50.336	30W	100-240V	≥80	6500K	2400	195 x 112 x 180	Aluminum	62 Degree
50.337	30W	100-240V	≥80	3000K	2400	195 x 112 x 180	Aluminum	62 Degree
50.400	12W	100-240V	≥80	6500K	800	100 x 100 x 80	Aluminum	62 Degree
50.401	12W	100-240V	≥80	3000K	800	100 x 100 x 80	Aluminum	62 Degree
50.403	20W	100-240V	≥80	6500K	1600	160 x 160 x 102	Aluminum	62 Degree
50.404	20W	100-240V	≥80	3000K	1600	160 x 160 x 102	Aluminum	62 Degree
50.406	30W	100-240V	≥80	6500K	2400	195 x 195 x 112	Aluminum	62 Degree
50.407	30W	100-240V	≥80	3000K	2400	195 x 195 x 112	Aluminum	62 Degree

SCOOP SERIES

LED recessed downlight

Product Description

Housing

High purity aluminium die cast material, efficient heatsink design provides excellent heat dissipation.

Source

LED COB chip provides high brightness, low energy consumption and life time of up to 30000 Hours.

Driver

Constant current LED driver included.
PB and HG free, environment friendly.

Reflector

High purity aluminium reflector provides wide light distribution and high brightness.

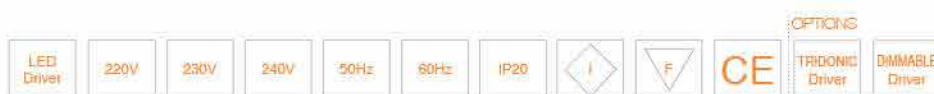
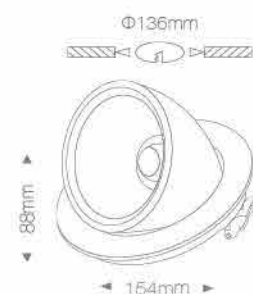


Design Application

Commercial area, office, shopping malls, saloons and residential areas.

Installation

Recessed mounted.



Product Range and Reference

Model	Power	Voltage	CRI	Colour Temp	Luminous Flux	Dimension	Material	Beam Angle
50 340	30W	100-240	>80	6500K	2400	154 x 88 x 136	Aluminum	46 Degree adjustable
50 341	30W	100-240	>80	3000K	2400	154 x 88 x 136	Aluminum	46 Degree adjustable

TITAN AR111 SERIES

LED or HALO recessed downlight

Product Description

Housing

High purity aluminium die cast material, equipped with spring clips for easy installation

Source

AR111 LED lamps or AR111 - G54 halogen lamps

Driver

Not included, to be supplied with lamp.

Reflector

Adjustable eye rings allow multiple light direction and wide options of light distribution.

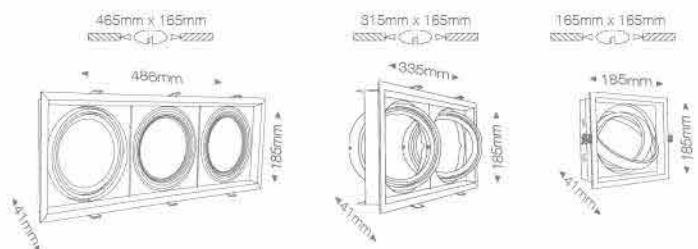


Design Application

Commercial area, office, shopping malls, saloons and residential areas.

Installation

Recessed mounted.



220V 230V 240V 50Hz 60Hz IP20 I F CE TRIDONIC Driver DIMMABLE Driver

Product Range and Reference

Model	No. of Lamps	Voltage	CRI	Colour Temp	Luminous Flux	Dimension	Material	Beam Angle
50-343	1 x AR111	100-240	>80	3000K/4500/6500K	Optional	185 x 185 x 41	Aluminum	Adjustable
50-344	2 x AR111	100-240	>80	3000K/4500/6500K	Optional	335 x 185 x 41	Aluminum	Adjustable
50-345	3 x AR111	100-240	>80	3000K/4500/6500K	Optional	486 x 185 x 41	Aluminum	Adjustable

TRADA SERIES

LED recessed downlight

Product Description

Housing

High purity aluminium die cast material, efficient heatsink design provides excellent heat dissipation.

Source

LED COB chip provides high brightness, low energy consumption and life time of up to 30000 Hours.

Driver

Constant current LED driver included.
PB and HG free, environment friendly.

Reflector

High purity aluminium reflector provides wide light distribution and high brightness. Adjustable eye ball allow wide light distribution options.

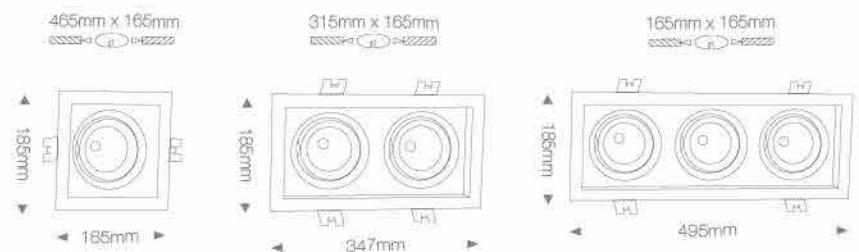


Design Application

Commercial area, office, shopping malls, saloons and residential areas.

Installation

Recessed mounted.



LED Driver
 220V
 230V
 240V
 50Hz
 60Hz
 IP20
 I
 F
 CE
 OPTIONS
 TRIDONIC Driver
 DIMMABLE Driver

Product Range and Reference

Model	Power	Voltage	CRI	Colour Temp	Luminous Flux	Dimension	Material	Beam Angle
50 347	1 x 30W	100-240	≥80	6500K	2600	000 x 000 x 000	Aluminum	46 Degree directional
50 348	1 x 30W	100-240	≥80	3000K	2600	000 x 000 x 000	Aluminum	46 Degree directional
50 350	2 x 30W	100-240	≥80	6500K	5200	000 x 000 x 000	Aluminum	46 Degree directional
50 351	2 x 30W	100-240	≥80	3000K	5200	000 x 000 x 000	Aluminum	46 Degree directional
50 353	3 x 30W	100-240	≥80	6500K	6800	000 x 000 x 000	Aluminum	46 Degree directional
50 354	3 x 30W	100-240	≥80	3000K	6800	000 x 000 x 000	Aluminum	46 Degree directional

PIANURA SERIES

LED recessed downlight

Product Description

Housing

High purity aluminium die cast material, efficient heatsink design provides excellent heat dissipation.

Source

LED SMD chip provides high brightness, low energy consumption and life time of up to 30000 Hours.

Driver

Built in Constant current LED driver included. PB and HG free, environment friendly.

Reflector

High purity aluminium reflector provides wide light distribution and high brightness, opal milky cover provides high lumen output and glare free light.



50362



50357



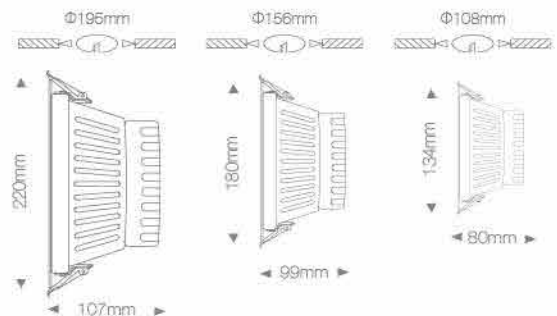
50356

Design Application

Commercial area, office, shopping malls, saloons and residential areas.

Installation

Recessed mounted.



LED Driver
 220V
 230V
 240V
 50Hz
 60Hz
 IP20
 I
 F
 CE
 OPTIONS
 TRIDONIC Driver
 DIMMABLE Driver

Product Range and Reference

Model	Power	Voltage	CRI	Colour Temp	Luminous Flux	Dimension	Material	Beam Angle
50356	12W	100-240	>80	6500K	1080	134 x 80 x 108	Aluminum	46 Degree
50357	12W	100-240	>80	3000K	1080	134 x 80 x 108	Aluminum	46 Degree
50358	16W	100-240	>80	6500K	1440	180 x 99 x 156	Aluminum	46 Degree
50360	16W	100-240	>80	3000K	1440	180 x 99 x 156	Aluminum	46 Degree
50362	20W	100-240	>80	6500K	1800	220 x 107 x 195	Aluminum	46 Degree
50363	20W	100-240	>80	3000K	1800	220 x 107 x 195	Aluminum	46 Degree

RADIANCE SERIES

LED Surface downlight

Product Description

Surface type LED COB downlight

LED driver included

Aluminium heatsink provides excellent heat dissipation

Aluminium body

Aluminium pure anodized reflector

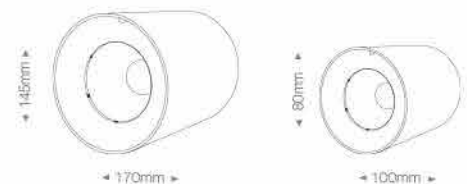


Design Application

Home, office, Corridor, Halls, reception, meeting rooms, hospitals, schools, shops, laboratory, kitchens etc.

Installation

Recessed mounted.



Product Range and Reference

Model	Led Type	Watt	Voltage	CCT	Dimension	Luminous Flux	IP Grade	CRI	Material
60 365	COB	12W	220-240V	6500K	80 x 100	1000 lm	IP20	>75	Aluminium
60 366	COB	12W	220-240V	3500K	80 x 100	1000 lm	IP20	>75	Aluminium
60 368	COB	24W	220-240V	6500K	145 x 170	2100 lm	IP20	>75	Aluminium
60 369	COB	24W	220-240V	3500K	145 x 170	2100 lm	IP20	>75	Aluminium

TAMIS SERIES

LED recessed flat panel

Product Description

Housing

Body made of high quality, thin and light weight aluminium, easy and flexible installation, High brightness SMD LED as light source provides high lumen output, Constant current LED driver included, Optical level diffusion and guide plate,

Aluminium shell, static free, corrosion resistant, Oxidation resistant. Equipped with spring clips.

Protection rating IP20

Colour White

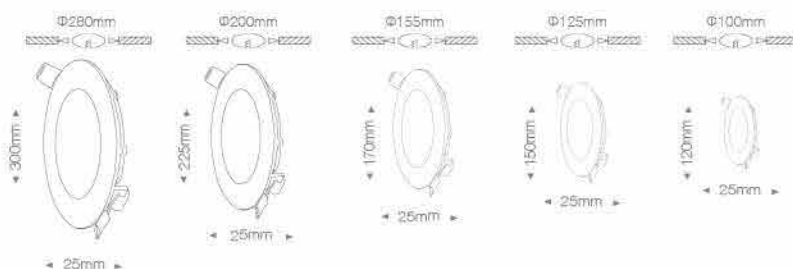


Design Application

Office, Corridor, Halls, reception, meeting rooms, hospitals, schools, shops, laboratory, kitchens etc.

Installation

Recessed mounted.



LED Driver 220V 230V 240V 50Hz 60Hz IP20 I F CE DIMMABLE Driver

Product Range and Reference

Model	Led Type	Watt	Voltage	CCT	Dimension (mm)	Luminous Flux	IP Grade	CRI	Material
50 010	2835	6W	220-240V	6500K	120 x 25	600 lm	IP20	>75	Aluminium + PC
50 011	2835	6W	220-240V	3500K	120 x 25	600 lm	IP20	>75	Aluminium + PC
50 007	2835	9W	220-240V	6500K	150 x 25	900 lm	IP20	>75	Aluminium + PC
50 004	2835	12W	220-240V	6500K	170 x 25	1200 lm	IP20	>75	Aluminium + PC
50 005	2835	12W	220-240V	3500K	170 x 25	1200 lm	IP20	>75	Aluminium + PC
50 001	2835	18W	220-240V	6500K	225 x 25	1800 lm	IP20	>75	Aluminium + PC
50 002	2835	18W	220-240V	3500K	225 x 25	1800 lm	IP20	>75	Aluminium + PC
50 013	2835	24W	220-240V	6500K	300 x 25	2400 lm	IP20	>75	Aluminium + PC
50 014	2835	24W	220-240V	3500K	300 x 25	2400 lm	IP20	>75	Aluminium + PC

TISSI SERIES

LED recessed flat panel

Product Description

Housing

Body made of high quality, thin and light weight aluminium, easy and flexible installation, High brightness SMD LED as light source provides up to 4000 Lumens. Constant current LED driver included, Hanging/ Suspension kit available on option, Optical level diffusion and guide plate,

Aluminium shell, static free, corrosion resistant, Oxidation resistant. Equipped with spring clips.

Protection rating IP20

Colour White

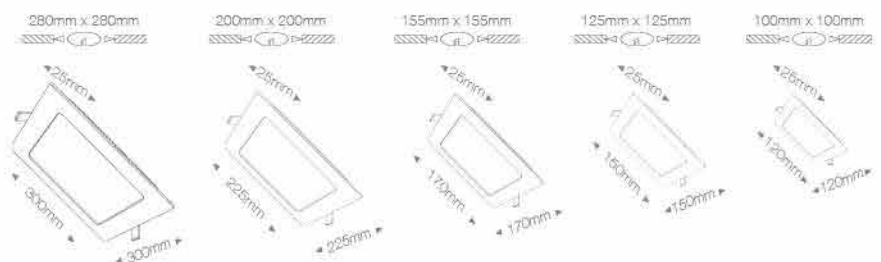


Design Application

Commercial and residential buildings, malls, hospitals, schools, lobby, etc.

Installation

Recessed mounted.



LED Driver: 220V, 230V, 240V, 50Hz, 60Hz, IP20, I, F, CE, DIMMABLE Driver

Product Range and Reference

Model	Led Type	Watt	Voltage	CCT	Dimension (mm)	Luminous Flux	IP Grade	CRI	Material
50 040	2835	6W	220-240V	6500K	120 x 120 x 25	600 lm	IP20	>75	Aluminium + PC
50 041	2835	6W	220-240V	3500K	120 x 120 x 25	600 lm	IP20	>75	Aluminium + PC
50 037	2835	9W	220-240V	6500K	150 x 150 x 25	900 lm	IP20	>75	Aluminium + PC
50 034	2835	12W	220-240V	6500K	170 x 170 x 25	1200 lm	IP20	>75	Aluminium + PC
50 035	2835	12W	220-240V	3500K	170 x 170 x 25	1200 lm	IP20	>75	Aluminium + PC
50 031	2835	18W	220-240V	6500K	225 x 225 x 25	1800 lm	IP20	>75	Aluminium + PC
50 032	2835	18W	220-240V	3500K	225 x 225 x 25	1800 lm	IP20	>75	Aluminium + PC
50 042	2835	24W	220-240V	6500K	300 x 300 x 25	2400 lm	IP20	>75	Aluminium + PC
50 043	2835	24W	220-240V	3500K	300 x 300 x 25	2400 lm	IP20	>75	Aluminium + PC

TAMIS SURFACE SERIES

LED surface flat panel

Product Description

Housing

Body made of high quality, thin and light weight aluminium, easy and flexible installation, High brightness SMD LED as light source provides high lumen output, Constant current LED driver included, Optical level diffusion and guide plate,

Aluminium shell, static free, corrosion resistant, Oxidation resistant.

Protection rating IP20

Colour White

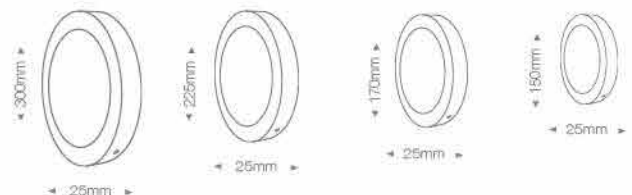


Design Application

Office, Corridor, Halls, reception, meeting rooms, hospitals, schools, shops, laboratory, kitchens etc.

Installation

Surface mounted.



Product Range and Reference

Model	Led Type	Watt	Voltage	CGT	Dimension (mm)	Luminous Flux	IP Grade	CRI	Material
50 067	2835	6W	220-240V	6500K	120 x 25	600 lm	IP20	>75	Aluminium + PC
50 068	2835	6W	220-240V	3600K	120 x 25	600 lm	IP20	>75	Aluminium + PC
50 064	2835	12W	220-240V	6500K	170 x 25	1200 lm	IP20	>75	Aluminium + PC
50 065	2835	12W	220-240V	3500K	170 x 25	1200 lm	IP20	>75	Aluminium + PC
50 061	2835	18W	220-240V	6500K	225 x 25	1800 lm	IP20	>75	Aluminium + PC
50 062	2835	18W	220-240V	3500K	225 x 25	1800 lm	IP20	>75	Aluminium + PC
50 070	2835	24W	220-240V	6500K	300 x 25	2400 lm	IP20	>75	Aluminium + PC
50 071	2835	24W	220-240V	3500K	300 x 25	2400 lm	IP20	>75	Aluminium + PC

TISSI SURFACE SERIES

LED surface flat panel

Product Description

Housing

Body made of high quality, thin and light weight aluminium, easy and flexible installation, High brightness SMD LED as light source provides up to 4000 Lumens. Constant current LED driver included, Hanging/Suspension kit available on option, Optical level diffusion and guide plate, Aluminium shell, static free, corrosion

resistant, Oxidation resistant.

Protection rating IP20

Colour White

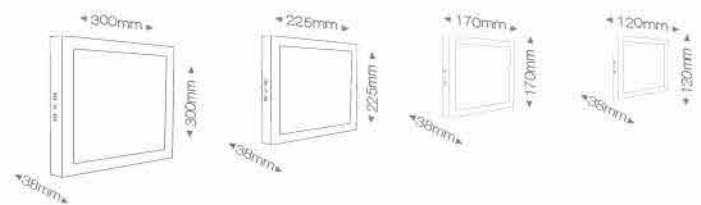


Design Application

Commercial and residential buildings, malls, hospitals, schools, lobby, etc.

Installation

Surface mounted.



Product Range and Reference

Model	Led Type	Watt	Voltage	CCT	Dimension (mm)	Luminous Flux	IP Grade	CRI	Material
50 061	2835	6W	220-240V	6500K	120 x 120 x 38	600 lm	IP20	>75	Aluminium + PC
50 062	2835	6W	220-240V	3500K	120 x 120 x 38	600 lm	IP20	>75	Aluminium + PC
50 064	2835	12W	220-240V	6500K	170 x 170 x 38	1200 lm	IP20	>75	Aluminium + PC
50 065	2835	12W	220-240V	3500K	170 x 170 x 38	1200 lm	IP20	>75	Aluminium + PC
50 067	2835	18W	220-240V	6500K	225 x 225 x 38	1800 lm	IP20	>75	Aluminium + PC
50 068	2835	18W	220-240V	3500K	225 x 225 x 38	1800 lm	IP20	>75	Aluminium + PC
50 070	2835	24W	220-240V	6500K	300 x 300 x 38	2400 lm	IP20	>75	Aluminium + PC
50 041	2835	24W	220-240V	3500K	300 x 300 x 38	2400 lm	IP20	>75	Aluminium + PC

LUSTRA SERIES

LED recessed glass panel

Product Description

Housing

Body made of high quality, thin and light weight aluminium, easy and flexible installation, High brightness SMD LED as light source provides up to 4000 Lumens. Constant current LED driver included, Hanging/Suspension kit available on option, Optical level diffusion and guide

plate, Aluminium shell, static free, corrosion resistant, Oxidation resistant.

Protection Rating IP20

Colour White

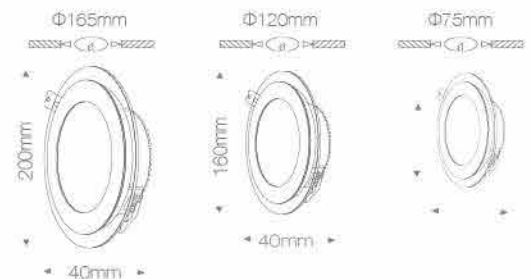


Design Application

Commercial and residential buildings, malls, hospitals, schools, lobby, etc.

Installation

Recessed mounted.



LED Driver 220V 230V 240V 50Hz 60Hz IP20 I F CE DIMMABLE Driver

Product Range and Reference

Model	Led Type	Watt	Voltage	CCT	Dimension	Luminous Flux	IP Grade	CRI	Material
50 101	2835	6W	220-240V	6500K	100 x 40	600 lm	IP20	>75	Aluminium + PC
50 102	2835	6W	220-240V	3500K	100 x 40	600 lm	IP20	>75	Aluminium + PC
50 104	2835	12W	220-240V	6500K	160 x 40	1200 lm	IP20	>75	Aluminium + PC
50 106	2835	12W	220-240V	3500K	160 x 40	1200 lm	IP20	>75	Aluminium + PC
50 107	2835	18W	220-240V	6500K	200 x 40	1800 lm	IP20	>75	Aluminium + PC
50 108	2835	18W	220-240V	3500K	200 x 40	1800 lm	IP20	>75	Aluminium + PC

LED



Panel Lights

ASPECT SERIES 1

LED recessed / suspended panel

Product Description

Housing

Body made of high quality, thin and light weight aluminium, easy and flexible installation, High brightness SMD LED as light source provides up to 4000 Lumens.

Constant current LED driver included, Hanging Suspension kit available on option, Optical level

diffusion and guide plate, Aluminium shell, static free, corrosion resistant, Oxidation resistant.

Protection Rating IP20

Colour White / Grey



Design Application

Commercial and residential buildings, malls, hospitals, schools, lobby, etc.

Installation

Recessed mounted or suspended.



OPTIONS

LED Driver	220V	230V	240V	50Hz	60Hz	IP20	I	F	CE	TRIDONIC Driver	DIMMABLE Driver
------------	------	------	------	------	------	------	---	---	----	-----------------	-----------------

Product Range and Reference

Model	Led Type	Watt	Voltage	CCT	Dimension	Luminous Flux	IP Grade	CRI	Material
52.001	2835	40W	220-240V	6500K	596 x 596 x 10	3400 lm	IP20	>75	Aluminium + PC
52.002	2835	40W	220-240V	5000K	596 x 596 x 10	3400 lm	IP20	>75	Aluminium + PC
52.003	2835	40W	220-240V	3500K	596 x 596 x 10	3400 lm	IP20	>75	Aluminium + PC

ASPECT SERIES 2

LED recessed / suspended panel

Product Description

Housing

Body made of high quality, thin and light weight aluminium, easy and flexible installation, High brightness SMD LED as light source provides up to 4000 Lumens. Constant current LED driver included, Hanging/Suspension kit available on option, Optical level diffusion and guide.

plate, Aluminium shell, static free, corrosion resistant, Oxidation resistant.

Protection Rating IP20

Colour White / Grey

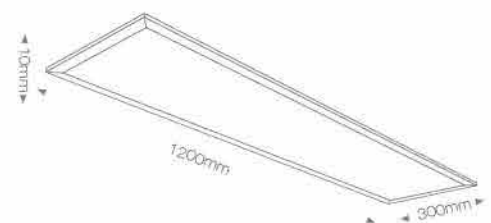


Design Application

Office, Corridor, Halls, reception, meeting rooms, hospitals, schools, shops, laboratory, kitchens, etc.

Installed

Recessed mounted or suspended.



LED Driver	220V	230V	240V	50Hz	60Hz	IP20	I	F	CE	OPTIONS	
										TRIDONIC Driver	DIMMABLE Driver

Product Range and Reference

Model	Led Type	Watt	Voltage	CCT	Dimension	Luminous Flux	IP Grade	CRI	Material
62.004	2835	40W	220-240V	6500K	1200 x 300 x 10	3400 lm	IP20	>75	Aluminium + PC
62.005	2835	40W	220-240V	6000K	1200 x 300 x 10	3400 lm	IP20	>75	Aluminium + PC
62.006	2835	40W	220-240V	3500K	1200 x 300 x 10	3400 lm	IP20	>75	Aluminium + PC

ASPECT SERIES 3

LED recessed / suspended panel

Product Description

Housing

Body made of high quality, thin and light weight aluminium, easy and flexible installation, High brightness SMD LED as light source provides high lumens output, Constant current LED driver included, Hanging/Suspension kit available on option, Optical level diffusion and guide

plate, Aluminium shell, static free, corrosion resistant, Oxidation resistant.

Protection Rating IP20

Colour White / Grey

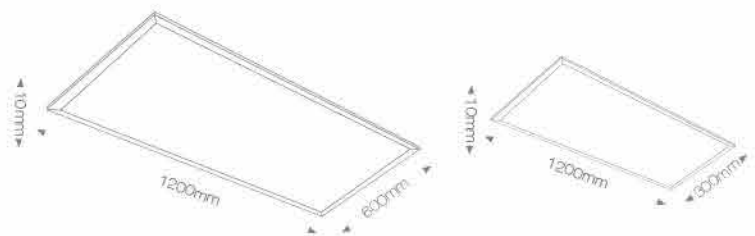


Design Application

Office, Corridor, Halls, reception, meeting rooms, hospitals, schools, shops, laboratory, kitchens, etc.

Installation

Recessed mounted or suspended.



LED Driver
 220V
 230V
 240V
 50Hz
 60Hz
 IP20
 I
 F
 CE
 OPTIONS
 TRIDONIC Driver
 DIMMABLE Driver

Product Range and Reference

Model	Led Type	Watt	Voltage	CCT	Dimension	Luminous Flux	IP Grade	CRI	Material
62-007	2835	20W	220-240V	6500K	600 x 300 x 10	1800 lm	IP20	>75	Aluminium + PC
62-008	2835	20W	220-240V	3000K	600 x 300 x 10	1800 lm	IP20	>75	Aluminium + PC
62-010	2835	80W	220-240V	6500K	1200 x 600 x 10	7200 lm	IP20	>75	Aluminium + PC
62-011	2835	80W	220-240V	3500K	1200 x 600 x 10	7200 lm	IP20	>75	Aluminium + PC

ASPECT SERIES 4

LED surface panel

Product Description

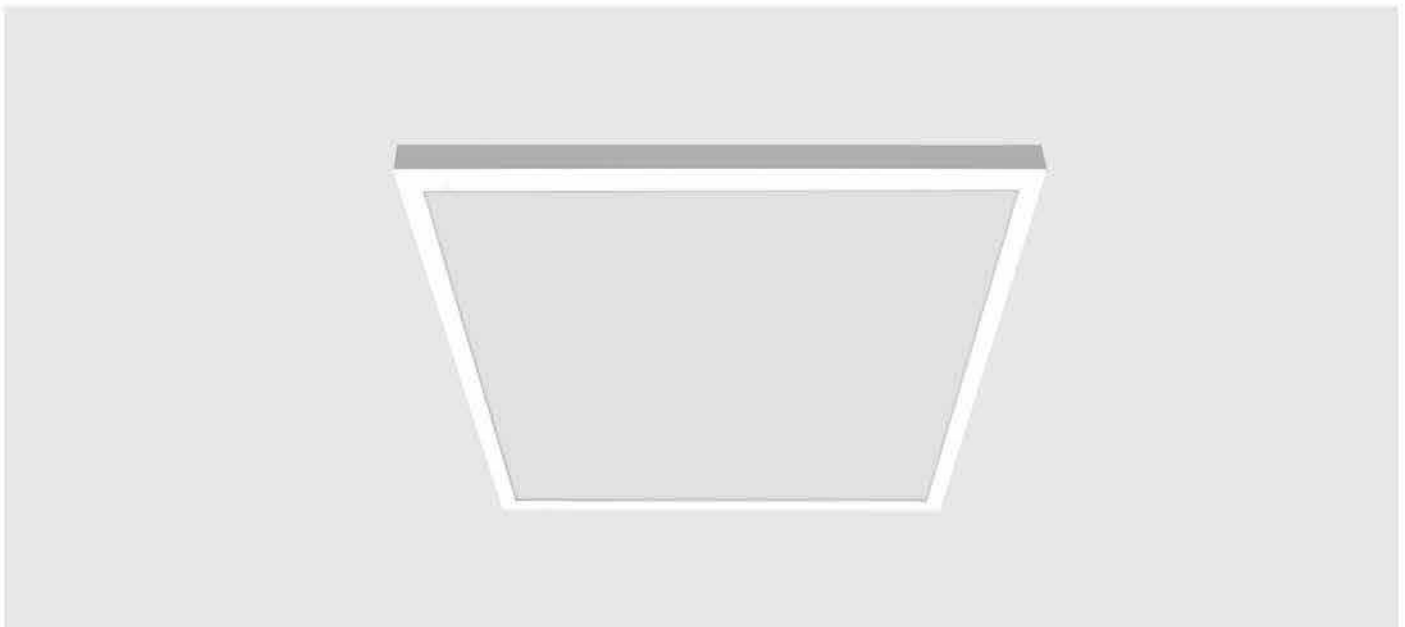
Housing

Body made of high quality, thin and light weight aluminium, easy and flexible installation, High brightness SMD LED as light source provides up to 4000 Lumens.
Constant current LED driver included, Optical level

diffusion and guide plate, Aluminium shell, static free, corrosion resistant, Oxidation resistant.

Protection Rating IP20

Colour White



Design Application

Commercial and residential buildings, malls, hospitals, schools, lobby, etc.

Installation

Surface mounted.



OPTIONS

LED Driver	220V	230V	240V	50Hz	60Hz	IP20	I	F	CE	TRIDONIC Driver	DIMMABLE Driver
------------	------	------	------	------	------	------	---	---	----	-----------------	-----------------

Product Range and Reference

Model	Led Type	Watt	Voltage	CCT	Dimension	Luminous Flux	IP Grade	CRI	Material
52 023	2835	40W	220-240V	6500K	600 x 600 x 25	3400 lm	IP20	>75	Aluminium + PC
52 024	2835	40W	220-240V	5000K	600 x 600 x 25	3400 lm	IP20	>75	Aluminium + PC

LED



Lamps & Bulbs

MASTER SPOT SERIES

LED Spot Lamp

Product Description

Housing

Save up to 70% electricity by replacing the old halogen lamps. Durable and efficient heat sink to ensure low temperature operation and longer life span. Long life span of 30000 Hours. Matches the exact size of the traditional Halogen spot lamp.

Mercury free, environment friendly. High power LED source with high lumen output.

Optional GU10 holder available to replace MR16 and GU5.3 holders.



54-031



54-041

Design Application

Replacement for incandescent, halogen and CFL spot lamps.



Product Range and Reference

Model	Power	Voltage	CRI	Luminous Flux	Colour Tem	Dimension	Dimmable	Base	LED Chip	Colour	Beam Angle	Material
54-031	5W	100-240V	>80	400	6500K	50 x 57	N	GU10	COB	White	36	Aluminium
54-032	5W	100-240V	>80	380	3000K	50 x 57	N	GU10	COB	Warmwhite	36	Aluminium
54-041	5W	100-240V	>80	350	6500K	50 x 57	N	GU10	COB	White	42	Ceramic
54-042	5W	100-240V	>80	350	3000K	50 x 57	N	GU10	COB	Warmwhite	42	Ceramic

ECO PLUS SERIES

LED Spot Lamp

Product Description

Housing

Save up to 70% electricity by replacing the old halogen lamps. Durable and efficient heat sink to ensure low temperature operation and longer life span.

Long life span of 30000 Hours. Matches the exact size of the traditional Halogen spot lamp. Mercury free, environment friendly. High power LED source with high lumen output.

Optional GU10 holder available to replace MR16 and GU5.3 holders.



Design Application

Replacement for incandescent, halogen and CFL spot lamps.



Product Range and Reference

Model	Power	Voltage	CRI	Luminous Flux	Colour Tem	Dimension	Dimmable	Base	LED-Chip	Colour	Beam Angle	Material
64 001	5W	220-240V	>80	440	6500K	55 x 56	N	GU10	SMD	White	36/36	PA
64 002	5W	220-240V	>80	420	3000K	50 x 56	N	GU10	SMD	Warmwhite	36/36	PA
64 011	6W	220-240V	>80	540	6500K	50 x 59	N	GU10	SMD	White	36/36	PA
64 012	6W	220-240V	>80	520	3000K	50 x 59	N	GU10	SMD	Warmwhite	36/36	PA
64 013	7W	220-240V	>80	630	6500K	60 x 59	Y	GU10	SMD	White	36/36	PA
64 014	7W	220-240V	>80	610	3000K	60 x 59	Y	GU10	SMD	Warmwhite	36/36	PA
64 021	5W	220-240V	>80	440	6500K	50 x 56	N	GU10	COB	White	36/36	PA
64 022	5W	220-240V	>80	420	3000K	50 x 56	N	GU10	COB	Warmwhite	36/36	PA

ECO LINE SERIES

LED Spot Lamp

Product Description

Housing

Save up to 70% electricity by replacing the old halogen lamps. Durable and efficient heat sink to ensure low temperature operation and longer life span. Long life span of 20000 Hours. Matches the exact size of the traditional Halogen spot lamp.

Mercury free, environment friendly. High power LED source with high lumen output.

Optional GU10 holder available to replace MR16 and GU5.3 holders.



Design Application

Replacement for incandescent, halogen and CFL spot lamps.



Product Range and Reference

Model	Power	Voltage	CRI	Luminous Flux	Colour Tem	Dimension	Dimmable	Base	LED Chip	Colour	Beam Angle	Material
64.051	3W	100-240V	>80	250	6500K	50 x 60	N	GU10/GU5.3	SMD	White	36/36	Aluminium+PC
64.052	3W	100-240V	>80	250	3000K	50 x 60	N	GU10/GU5.3	SMD	Warmwhite	36/36	Aluminium+PC
64.061	3W	100-240V	>80	260	6500K	50 x 63	N	GU10/GU5.3	SMD	White	36/36	Aluminium+PC
64.062	3W	100-240V	>80	250	3000K	50 x 63	N	GU10/GU5.3	SMD	Warmwhite	36/36	Aluminium+PC
64.071	4W	100-240V	>80	320	6500K	50 x 63	N	GU10/GU5.3	SMD	White	36/36	Aluminium+PC
64.072	4W	100-240V	>80	320	3000K	50 x 63	N	GU10/GU5.3	SMD	Warmwhite	36/36	Aluminium+PC

SAVER PLUS SERIES

LED E27 classic bulb

Product Description

Housing

Save up to 70% electricity by replacing the old traditional bulbs. Long life span of 20000 Hours. Mercury free, environment friendly. High brightness LED bulbs.



Design Application

Replacement for incandescent, halogen and CFL bulbs.



Product Range and Reference

Model	Power	Voltage	CRI	Luminous Flux	Colour Temp	Dimension	Dimmable	Base	LED Chip	Colour	Beam Angle
54-101	8W	220-240V	>80	620	6500K	60 x 108	N	E27	SMD	White	300
54-102	8W	220-240V	>80	650	3000K	60 x 108	N	E27	SMD	Warmwhite	300
54-103	10W	220-240V	>80	850	6500K	60 x 108	N	E27	SMD	White	300
54-104	10W	220-240V	>80	850	3000K	60 x 108	N	E27	SMD	Warmwhite	300
54-105	10W	220-240V	>80	850	6500K	60 x 108	Y	E27	SMD	White	300
54-106	10W	220-240V	>80	850	3000K	60 x 108	Y	E27	SMD	Warmwhite	300

FILAMENT SERIES

LED classic bulb

Product Description

Housing

Save up to 70% electricity by replacing the old traditional bulbs. Long life span of 30000 Hours. Mercury free, environment friendly. High brightness LED bulbs.



64.271



64.272

Design Application

Replacement for incandescent and CFL bulbs. CE ROHS And UL Compliant.



Product Range and Reference

Model	Power	Voltage	CRI	Luminous Flux	Colour Temp	Dimension	Dimmable	Base	LED Chip	Colour	Beam Angle
64.271	4W	220-240V	>80	400	2700K	55 x 100	N	E27	SMD	Warmwhite	300
64.272	3W	220-240V	>80	380	2700K	35 x 90	N	E14	SMD	Warmwhite	300

CANDLE SERIES

LED candle bulb

Product Description

Housing

Save up to 70% electricity by replacing the old traditional bulbs. Long life span of 30000 Hours. Mercury free, environment friendly. High brightness. LED bulbs.



64171



64173



64172



64175

Design Application

Replacement for incandescent and CFL bulbs.



Product Range and Reference

Model	Power	Voltage	CRI	Luminous Flux	Colour Temp	Dimension	Dimmable	Base	LED Chip	Colour	Beam Angle
64171	4W	220-240V	>80	230	6500K	35 x 102	N	E14	SMD	White	180
64172	4W	220-240V	>80	230	2700K	35 x 102	N	E14	SMD	Warmwhite	180
64173	3W	220-240V	>80	170	2700K	35 x 125	N	E14	SMD	Warmwhite	180
64174	3W	220-240V	>80	170	2700K	35 x 125	N	E14	SMD	Warmwhite	180
64175	3W	220-240V	>80	170	2700K	38 x 110	N	E14	SMD	Warmwhite	180
64176	3W	220-240V	>80	170	2700K	38 x 110	N	E14	SMD	Warmwhite	180

LED CFL SERIES

LED E27 lamp

Product Description

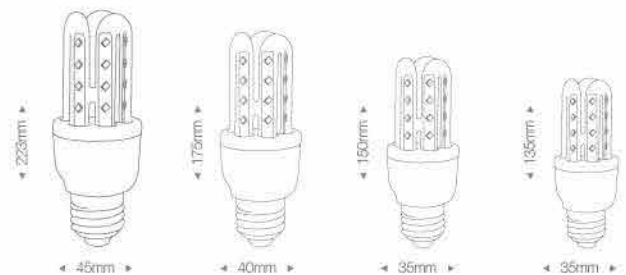
Housing

Save up to 70% electricity by replacing the old traditional bulbs. Long life span of 30000 Hours. Mercury free, environment friendly. High brightness LED bulbs.



Design Application

Replacement for incandescent, halogen and CFL bulbs.



Product Range and Reference

Model	Power	Voltage	CRI	Luminous Flux	Lumens LED	Colour Tem	Dimension	Dimmable	Base	LED Chip	Colour	Beam Angle
64 221	5W	85-265V	>80	400	28lm	6500K	35 x 135	N	E27	SMD3014	White	300
64 222	5W	85-265V	>80	390	28lm	3500K	35 x 135	N	E27	SMD3014	Warmwhite	300
64 223	9W	85-265V	>80	960	28lm	6500K	35 x 150	N	E27	SMD3014	White	300
64 224	9W	85-265V	>80	920	28lm	3500K	35 x 150	N	E27	SMD3014	Warmwhite	300
64 225	16W	85-265V	>80	1790	28lm	6500K	40 x 175	N	E27	SMD3014	White	300
64 226	16W	85-265V	>80	1695	28lm	3000K	40 x 175	N	E27	SMD3014	Warmwhite	300
64 227	24W	85-265V	>80	2370	28lm	6500K	45 x 223	N	E27	SMD3014	White	300
64 228	24W	85-265V	>80	2264	28lm	3500K	45 x 223	N	E27	SMD3014	Warmwhite	300

CORN SERIES

LED E27 lamp

Product Description

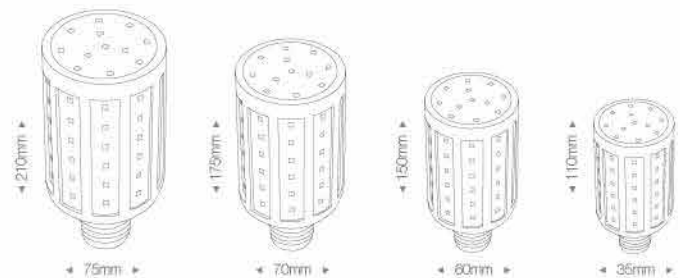
Housing

Save up to 70% electricity by replacing the old traditional bulbs. Long life span of 30000 Hours
Mercury free, environment friendly. High brightness LED bulbs.



Design Application

Replacement for incandescent and CFL bulbs.



Product Range and Reference

Model	Power	Voltage	CRI	Luminous Flux	Lumens LED	Colour Tem	Dimension	Dimmable	Base	LED Chip	Colour	Beam Angle
54-201	6W	220-240V	>80	640	28lm	6500K	35 x 110	N	E27	SMD2835	White	300°
54-202	6W	220-240V	>80	640	28lm	3000K	35 x 110	N	E27	SMD2835	Warmwhite	300°
54-203	12W	220-240V	>80	1080	28lm	6500K	60 x 150	N	E27	SMD2835	White	300°
54-204	12W	220-240V	>80	1080	28lm	3000K	70 x 150	N	E27	SMD2835	Warmwhite	300°
54-205	16W	220-240V	>80	1350	28lm	6500K	70 x 175	N	E27	SMD2835	White	300°
54-206	16W	220-240V	>80	1350	28lm	3000K	70 x 175	N	E27	SMD2835	Warmwhite	300°
54-207	24W	220-240V	>80	2160	28lm	6500K	75 x 210	N	E27	SMD2835	White	300°
54-208	24W	220-240V	>80	2160	28lm	3000K	75 x 210	N	E27	SMD2835	Warmwhite	300°

TUBES SERIES

LED T8 tube

Product Description

Housing

Save up to 70% electricity by replacing the old traditional bulbs. Long life span of 30000 Hours
 Mercury free, environment friendly. High brightness LED tubes.

No starter and ballast required.



Design Application

Replacement for conventional T8 fluorescent lamps.



Product Range and Reference

Model	Power	Voltage	CRI	Luminous Flux	Lumens LED	Colour Tem	Dimension	Dimmable	Base	LED Chip	Colour	Beam Angle
64301	9W	85-265V	>80	810	28lm	6500K	590 x 28	N	T8	SMD3014	White	350°
64302	18W	85-265V	>80	1620	28lm	6500K	1215 x 28	N	T8	SMD3014	White	350°
64303	9W	85-265V	>80	760	28lm	6500K	590 x 28	N	T8	SMD3014	White	180°
64304	18W	85-265V	>80	1500	28lm	6500K	1215 x 28	N	T8	SMD3014	White	180°

LED T5 SERIES

LED T5 fitting

Product Description

Housing

Save up to 70% electricity by replacing the old traditional bulbs. Long life span of 30000 Hours. Mercury free, environment friendly. High brightness LED source.



Design Application

Replacement for conventional T5 fluorescent fittings.



Product Range and Reference

Model	Power	Voltage	CRI	Luminous Flux	Lumens LED	Colour Tem	Dimension	Dimmable	Base	LED Chip	Colour	Beam Angle
64-320	4W	85-265V	>80	320	28lm	6500K	300 x 26	N	T5	SMD3014	White	180°
64-321	4W	85-265V	>80	320	28lm	3500K	300 x 26	N	T5	SMD3014	Warmwhite	180°
64-322	8W	85-265V	>80	640	28lm	6500K	600 x 26	N	T5	SMD3014	White	180°
64-323	8W	85-265V	>80	640	28lm	3500K	600 x 26	N	T5	SMD3014	Warmwhite	180°
64-324	12W	85-265V	>80	960	28lm	6500K	900 x 26	N	T5	SMD3014	White	180°
64-325	12W	85-265V	>80	960	28lm	3000K	900 x 26	N	T5	SMD3014	Warmwhite	180°
64-326	16W	85-265V	>80	1280	28lm	6500K	1200 x 26	N	T5	SMD3014	White	180°
64-327	16W	85-265V	>80	1280	28lm	3500K	1200 x 26	N	T5	SMD3014	Warmwhite	180°

LED



Strip Lights

LURIA SERIES 1

IP20 indoor 12V led strip

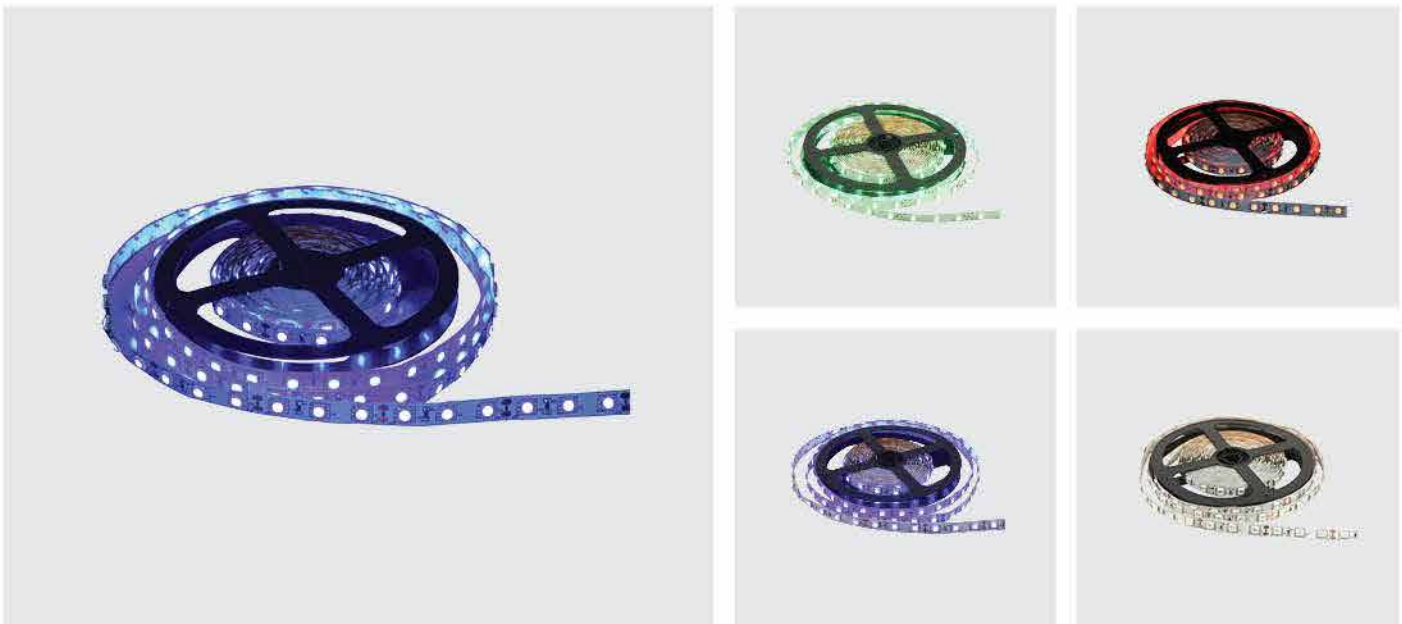
Product Description

High brightness 3528 and 5050 SMD led strip with a 40000 Hours life span. Strips can be cut every 5cm or 10cm and reconnected. 3M adhesive backing. High quality PCB and electronic components to ensure efficient electrical. Strip connector and power supply available on option.

conductivity and maximum power usage at both ends.

LED strip light 5MT roll

Driver-power supply not included



Design Application

False ceiling borders, cabinets, signboards, home decoration, displays boards, Furniture, commercial and residential areas, aluminium channels, etc.

LED Driver	12V	Self Adhesive	Flexible	50Hz	60Hz	IP20	I	F	CE	OPTIONS		
										TRIDONIC Driver	DIMMABLE Driver	CONNECTOR

Product Range and Reference

Model	Power	Voltage	CRI	Luminous Flux	Colour Tem	LED Qty (MT)	IP Grade	Dimension	LED-Chip	Colour	Packaging
56 001	4.8w per meter	12V	>80	4lm/led	6500K	60	IP20	0.8 x 5 Meter	3528	White	5 Meter roll Poly bag
56 002	4.8w per meter	12V	>80	4lm/led	5000K	60	IP20	0.8 x 5 Meter	3528	Neutral White	5 Meter roll Poly bag
56 003	4.8w per meter	12V	>80	4lm/led	3000K	60	IP20	0.8 x 5 Meter	3528	Warm white	5 Meter roll Poly bag
56 004	4.8w per meter	12V	>80	4lm/led	-----	60	IP20	0.8 x 5 Meter	3528	Blue	5 Meter roll Poly bag
56 005	4.8w per meter	12V	>80	4lm/led	-----	60	IP20	0.8 x 5 Meter	3528	Red	5 Meter roll Poly bag
56 006	4.8w per meter	12V	>80	4lm/led	-----	60	IP20	0.8 x 5 Meter	3528	Green	5 Meter roll Poly bag
56 007	4.8w per meter	12V	>80	12lm/led	-----	60	IP20	0.8 x 5 Meter	3528	Yellow	5 Meter roll Poly bag
56 101	14.4w per meter	12V	>80	12lm/led	6500K	60	IP20	0.8 x 5 Meter	5050	White	5 Meter roll Poly bag
56 102	14.4w per meter	12V	>80	12lm/led	5000K	60	IP20	0.8 x 5 Meter	5050	Neutral White	5 Meter roll Poly bag
56 103	14.4w per meter	12V	>80	12lm/led	3000K	60	IP20	0.8 x 5 Meter	5050	Warm white	5 Meter roll Poly bag
56 104	14.4w per meter	12V	>80	12lm/led	-----	60	IP20	0.8 x 5 Meter	5050	Blue	5 Meter roll Poly bag
56 105	14.4w per meter	12V	>80	12lm/led	-----	60	IP20	0.8 x 5 Meter	5050	Red	5 Meter roll Poly bag
56 106	14.4w per meter	12V	>80	12lm/led	-----	60	IP20	0.8 x 5 Meter	5050	Green	5 Meter roll Poly bag
56 107	14.4w per meter	12V	>80	12lm/led	-----	60	IP20	0.8 x 5 Meter	5050	Yellow	5 Meter roll Poly bag
56 108	14.4w per meter	12V	>80	12lm/led	-----	60	IP20	0.8 x 5 Meter	5050	RGB	5 Meter roll Poly bag

LURIA SERIES 2

IP65 waterproof 12V led strip

Product Description

High brightness 3528 and 5050 SMD led strip with a 40000 Hours life span. Strips can be cut every 5cm or 10cm and reconnected. 3M adhesive backing. High quality PCB and electronic components to ensure efficient electrical. Strip connector and power supply available on option.

conductivity and maximum power usage at both ends.

LED strip light 5MT roll

Driver-power supply not included



Design Application

False ceiling borders, cabinets, signboards, home decoration, displays boards, Furniture, commercial and residential areas, aluminium channels, etc.

OPTIONS

LED Driver	12V	Self Adhesive	Flexible	50Hz	60Hz	IP65	I	F	CE	TRIDONIC Driver	DIMMABLE Driver	CONNECTOR
------------	-----	---------------	----------	------	------	------	---	---	----	-----------------	-----------------	-----------

Product Range and Reference

Model	Power	Voltage	CRI	Luminous Flux	Colour Temp	LED Qty (MT)	IP Grade	Dimension	LED Chip	Colour	Packaging
56 051	4.8w per meter	12V	>80	4lm/led	6500K	60	IP65	0.8 x 5 Meter	3528	White	5 Meter roll Poly bag
56 052	4.8w per meter	12V	>80	4lm/led	5000K	60	IP65	0.8 x 5 Meter	3528	Neutral White	5 Meter roll Poly bag
56 053	4.8w per meter	12V	>80	4lm/led	3000K	60	IP65	0.8 x 5 Meter	3528	Warm white	5 Meter roll Poly bag
56 054	4.8w per meter	12V	>80	4lm/led	-----	60	IP65	0.8 x 5 Meter	3528	Blue	5 Meter roll Poly bag
56 055	4.8w per meter	12V	>80	4lm/led	-----	60	IP65	0.8 x 5 Meter	3528	Red	5 Meter roll Poly bag
56 056	4.8w per meter	12V	>80	4lm/led	-----	60	IP65	0.8 x 5 Meter	3528	Green	5 Meter roll Poly bag
56 057	4.8w per meter	12V	>80	12lm/led	-----	60	IP65	0.8 x 5 Meter	3528	Yellow	5 Meter roll Poly bag
56 151	14.4w per meter	12V	>80	12lm/led	6500K	60	IP65	0.8 x 5 Meter	5050	White	5 Meter roll Poly bag
56 152	14.4w per meter	12V	>80	12lm/led	6000K	60	IP65	0.8 x 5 Meter	5050	Neutral White	5 Meter roll Poly bag
56 153	14.4w per meter	12V	>80	12lm/led	3000K	60	IP65	0.8 x 5 Meter	5050	Warm white	5 Meter roll Poly bag
56 154	14.4w per meter	12V	>80	12lm/led	-----	60	IP65	0.8 x 5 Meter	5050	Blue	5 Meter roll Poly bag
56 155	14.4w per meter	12V	>80	12lm/led	-----	60	IP65	0.8 x 5 Meter	5050	Red	5 Meter roll Poly bag
56 156	14.4w per meter	12V	>80	12lm/led	-----	60	IP65	0.8 x 5 Meter	5050	Green	5 Meter roll Poly bag
56 157	14.4w per meter	12V	>80	12lm/led	-----	60	IP65	0.8 x 5 Meter	5050	Yellow	5 Meter roll Poly bag
56 158	14.4w per meter	12V	>80	12lm/led	-----	60	IP65	0.8 x 5 Meter	5050	RGB	5 Meter roll Poly bag

MOON SERIES

IP65 waterproof 220V led strip

Product Description

LED strip light 50MT roll
High brightness direct 220V 5050 SMD led strip with a 25000 Hours life span. Strips can be cut every 1 meter and reconnected.

Standard roll includes 5 power cord, 20 middle connector, 20 end caps, extra accessories available on request.

High quality PCB and electronic components to ensure efficient electrical conductivity and maximum power usage at both ends.



Design Application

False ceiling borders, cabinets, signboards, home-decoration, displays boards, Furniture, commercial and residential areas, etc.

220V Outdoor Flexible 50Hz 60Hz IP65 I F CE CONNECTOR **OPTIONS**

Product Range and Reference

Model	Power	Voltage	CRI	Luminous Flux	Colour Tem.	LED Qty (MT)	IP Grade	Dimension	LED Chip	Colour	Packaging
56 201	14.4w per meter	220V	>80	22lm/led	6500K	60	IP65	50 Meter roll	5050	White	PVC roll and cartoon
56 202	14.4w per meter	220V	>80	22lm/led	5000K	60	IP65	50 Meter roll	5050	Neutral white	PVC roll and cartoon
56 203	14.4w per meter	220V	>80	22lm/led	3000K	60	IP65	50 Meter roll	5050	Warm white	PVC roll and cartoon
56 204	14.4w per meter	220V	>80	22lm/led	-----	60	IP65	50 Meter roll	5050	Blue	PVC roll and cartoon
56 205	14.4w per meter	220V	>80	22lm/led	-----	60	IP65	50 Meter roll	5050	Red	PVC roll and cartoon
56 206	14.4w per meter	220V	>80	22lm/led	-----	60	IP65	50 Meter roll	5050	Green	PVC roll and cartoon
56 207	14.4w per meter	220V	>80	22lm/led	-----	60	IP65	50 Meter roll	5050	Yellow	PVC roll and cartoon
56 208	14.4w per meter	220V	>80	22lm/led	-----	60	IP65	50 Meter roll	5050	RGB	PVC roll and cartoon

LED



Battens

STRETTE SERIES 2

LED T8 batten

Product Description

Body is made of high quality cold rolled 0.3 steel sheet through phosphating and electrostatic sprayings for added strength.

Fully power coated in non discolouring white polyester. Polycarbonate non-discolouring lamp holder end caps with easily replaceable built-in lamp holders. Easy and convenient installation and maintenance.

Conventional ballast and starter not required.

LED tube supplied seperately.

Installation

Surface or Suspended Mounted.



Design Application

General home and commercial infrastructure, semi-industrial interiors, retail outlets, factories, warehouses, supermarkets, multi storey car parks and others.



Product Range and Reference

Model	No. of Lamps	Power	Voltage	Dimension	Source	IP Rating	Ballast	Material	Weight
64-330	1	9W	220 , 240V	620 x 50 x 45	T8 LED	IP40	Not Required	Steel	0.5 Kg
64-330	2	9W	220 , 240V	620 x 100 x 45	T8 LED	IP40	Not Required	Steel	0.6 Kg
64-330	1	18W	220 , 240V	1230 x 50 x 45	T8 LED	IP40	Not Required	Steel	1.0 Kg
64-330	2	18W	220 , 240V	1230 x 100 x 45	T8 LED	IP40	Not Required	Steel	1.2 Kg
64-330	1	26W	220 , 240V	1630 x 50 x 45	T8 LED	IP40	Not Required	Steel	1.6 Kg
64-330	2	26W	220 , 240V	1630 x 100 x 45	T8 LED	IP40	Not Required	Steel	1.6 Kg

LED MAXIWEATHER SERIES

LED T8 Weatherproof Fixture

Product Description

Housing

Self extinguishing Compression Moulded glass reinforced Polyester (GRP).

Diffuser

High quality clear prismatic UV stabilized PMMA lens vandal proof Includes robust lockable stainless steel clips and extra polycarbonate heavy duty clips as option rated IP65- IK08.

Conventional ballast and starter not required.

LED tube supplied separately.

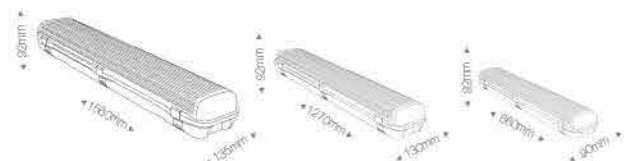
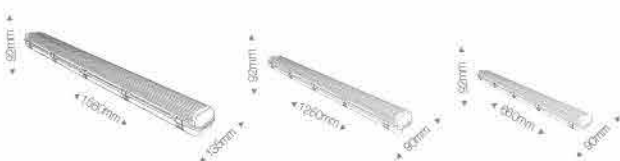
Installation

Surface or Suspended Mounted



Design Application

Exterior and interior applications, car parks, industrial sites, residential outdoor, building hazardous areas and general use.



OPTIONS



Product Range and Reference

Model	No. of Lamps	Power	Voltage	Dimension	Source	IP Rating	Ballast	Material	Weight	Diffuser
11-801	1	9W	220-240V	0x0x0	T8 LED	IP65	Not Required	GRP Polyester	1.6 Kg	UV Stabilized PMMA
11-804	2	9W	220-240V	0x0x0	T8 LED	IP65	Not Required	GRP Polyester	1.69 Kg	UV Stabilized PMMA
11-802	1	18W	220-240V	0x0x0	T8 LED	IP65	Not Required	GRP Polyester	1.88 Kg	UV Stabilized PMMA
11-806	2	18W	220-240V	0x0x0	T8 LED	IP65	Not Required	GRP Polyester	2.9 Kg	UV Stabilized PMMA
11-803	1	28W	220-240V	0x0x0	T8 LED	IP65	Not Required	GRP Polyester	2.1 Kg	UV Stabilized PMMA
11-805	2	28W	220-240V	0x0x0	T8 LED	IP65	Not Required	GRP Polyester	3.6 Kg	UV Stabilized PMMA

LED



Flood Lights

STORMA SERIES 1

LED flood light 10-50W range

Product Description

Housing

High purity aluminium die cast material, efficient heatsink design provides excellent heat dissipation.

Source

LED chip provides high brightness and low energy consumption. Life time over 30000 hours.

Driver

Constant current built-in driver. PB and HG free, environment friendly.

Reflector

High purity aluminium reflector provides 120 degree wide light distribution and high brightness.

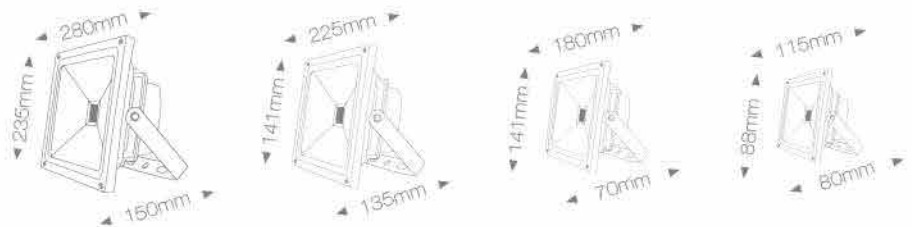
Protection rating IP65.

Colour Grey.



Design Application

General outdoor areas, building facade, signboards, dock, warehouse, garden, pool areas, sports areas etc.



LED Driver: 220V, 230V, 240V, 50Hz, 60Hz, IP20, I, F, CE, BLUE COLOUR, RED COLOUR, GREEN COLOUR, YELLOW COLOUR, RGB MULTICOLOUR

Product Range and Reference

Model	Power	Voltage	CRI	Luminous Flux	Colour Temp	Dimension	Material	Beam Angle
58 001	10W	100 - 240V	>80	900	6500K	115 x 80 x 88	Aluminum Die Cast	120 Degree
58 002	10W	100 - 240V	>80	900	3000K	115 x 80 x 88	Aluminum Die Cast	120 Degree
58 004	20W	100 - 240V	>80	1800	6500K	180 x 70 x 141	Aluminum Die Cast	120 Degree
58 005	20W	100 - 240V	>80	1800	3000K	180 x 70 x 141	Aluminum Die Cast	120 Degree
58 007	30W	100 - 240V	>80	2700	6500K	225 x 135 x 141	Aluminum Die Cast	120 Degree
58 008	30W	100 - 240V	>80	2700	3000K	225 x 135 x 141	Aluminum Die Cast	120 Degree
58 010	50W	100 - 240V	>80	4800	6500K	280 x 150 x 235	Aluminum Die Cast	120 Degree
58 011	50W	100 - 240V	>80	4500	3000K	280 x 150 x 235	Aluminum Die Cast	120 Degree

STORMA SERIES 2

LED flood light 100-200W range

Product Description

Housing

High purity aluminium die cast material, efficient heatsink design provides excellent heat dissipation.

Source

LED chip provides high brightness and low energy consumption.

Driver

Constant current built-in driver.
PB and HG free, environment friendly.

Reflector

High purity aluminium reflector provides 120 degree wide light distribution and high brightness.

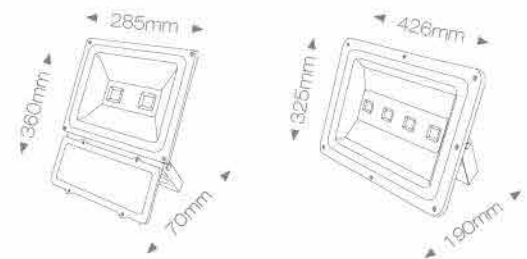
Protection rating IP65.

Colour Grey.



Design Application

General outdoor areas, building facade, signboards, dock, warehouse, garden pool areas, sports areas etc.



LED Driver	220V	230V	240V	50Hz	60Hz	IP20	I	F	CE	OPTIONS	BLUE COLOUR	RED COLOUR	GREEN COLOUR	YELLOW COLOUR	RGB MULTICOLOUR
------------	------	------	------	------	------	------	---	---	----	---------	-------------	------------	--------------	---------------	-----------------

Product Range and Reference

Model	Power	Voltage	CRI	Luminous Flux	Colour Temp.	Dimension	Material	Beam Angle
58 016	100W	100 - 240V	>80	6500	6500K	360 x 285 x 70	Aluminum Die Cast.	120 Degree
58 017	100W	100 - 240V	>80	6500	3000K	360 x 285 x 70	Aluminum Die Cast.	120 Degree
58 022	200W	100 - 240V	>80	9200	6500K	325 x 426 x 190	Aluminum Die Cast.	120 Degree
58 023	200W	100 - 240V	>80	9200	3000K	325 x 426 x 190	Aluminum Die Cast.	120 Degree

LED



Ground Lights

TIERRA LED SERIES

LED underground / burried luminair

Product Description

High brightness SMD LED as light source, efficient, energy saving, long life span of up to 40000 hours and environment friendly.

Housing

Die casting aluminium housing with corrosion resistant polyester powder coat finish.

Glass

High intensity tempered glass in the compact frame installation provides high durability and weight resistance.

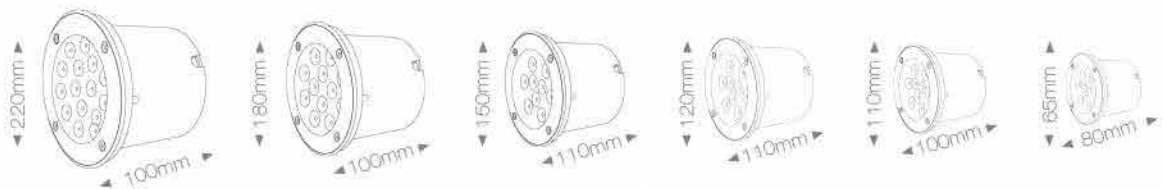
Buying Barrel

High intensity ABS engineered plastic barrel.
Driver: Built in IC driver.



Design Application

Area lighting for building exterior, villa exterior, public areas and parks, car parks, garages, pool area, dock, tree, monument, walls, celebration areas, outdoor general areas.



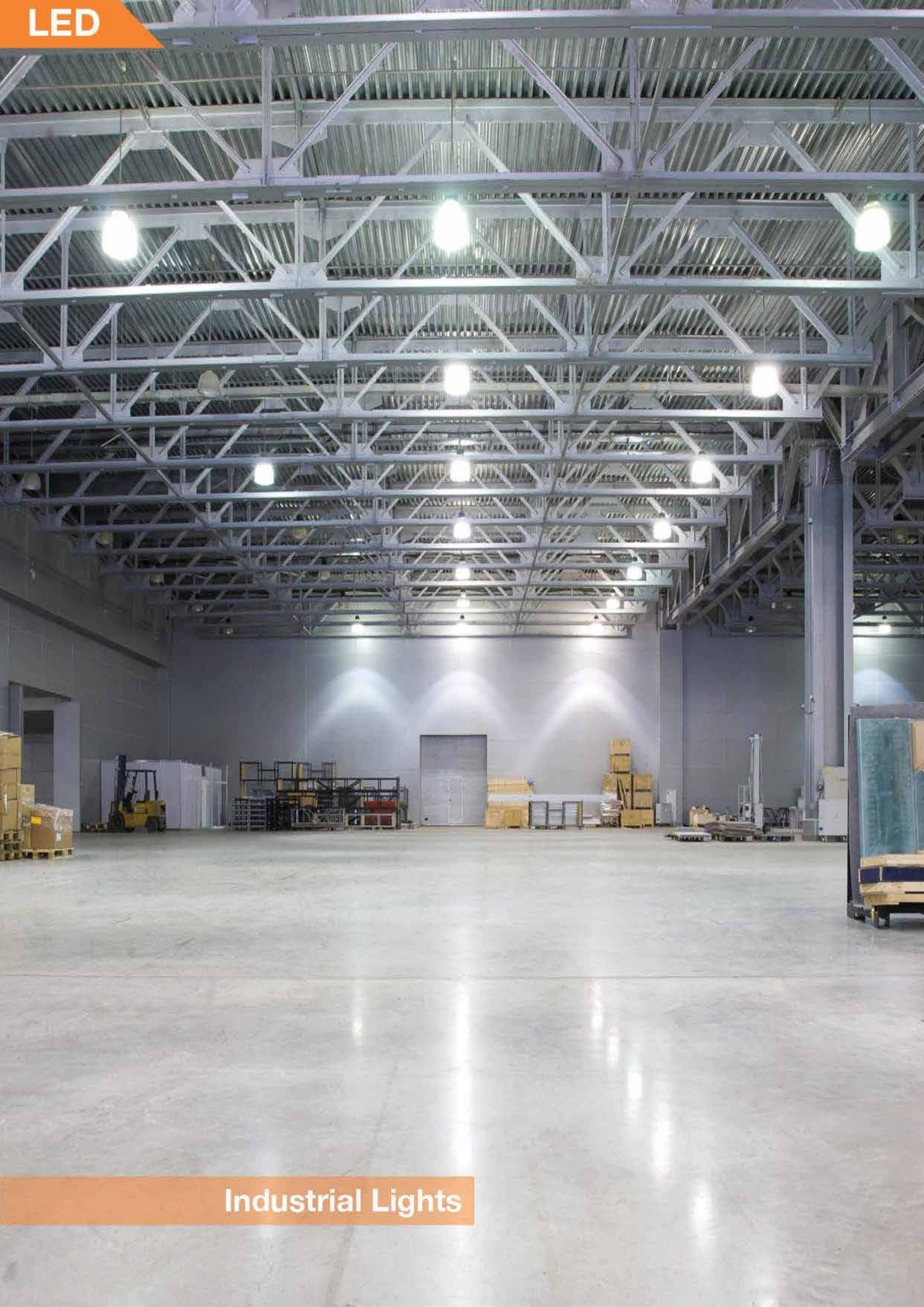
OPTIONS

LED Driver	220V	230V	240V	30Hz	60Hz	IP20	IK10	I	F	CE	BLUE COLOUR	RED COLOUR	GREEN COLOUR	YELLOW COLOUR	RGB MULTICOLOUR
------------	------	------	------	------	------	------	------	---	---	----	-------------	------------	--------------	---------------	-----------------

Product Range and Reference

Model	Power	Voltage	CRI	Luminous Flux	Colour Temp	Dimension	Hole Size	LED Type	IP Grade	Angle	Material
60 201	1W	220 - 240V	>80	80	CW/WW/BL/RD/GR/RGB	65 x 80	60	Epistal SMD	IP67	5/15/25	Aluminium+PC+PMMA+Glass
60 204	3W	220 - 240V	>80	240	CW/WW/BL/RD/GR/RGB	110 x 100	97	Epistal SMD	IP67	5/15/25	Aluminium+PC+PMMA+Glass
60 207	6W	220 - 240V	>80	480	CW/WW/BL/RD/GR/RGB	120 x 110	117	Epistal SMD	IP67	5/15/25	Aluminium+PC+PMMA+Glass
60 210	9W	220 - 240V	>80	720	CW/WW/BL/RD/GR/RGB	150 x 110	143	Epistal SMD	IP67	5/15/25	Aluminium+PC+PMMA+Glass
60 213	12W	220 - 240V	>80	960	CW/WW/BL/RD/GR/RGB	180 x 100	166	Epistal SMD	IP67	5/15/25	Aluminium+PC+PMMA+Glass
60 219	18W	220 - 240V	>80	1440	CW/WW/BL/RD/GR/RGB	220 x 100	200	Epistal SMD	IP67	5/15/25	Aluminium+PC+PMMA+Glass

LED



Industrial Lights

LEDTRONIK SERIES

LED highbay

Product Description

Housing

Equiped with chain hook
COB LED technology with 30,000 hrs average rated life time.
Anti corrosion, die cast aluminium body
High strength casting shell of electrical-box anti static
LED chip and LED driver replaceable
No maintenance
Integral thermal management

Driver

Constant current built-in driver.

PB and HG free,environment friendly.

Reflector

The precisely designed calabash shape fixing holes in top of reflector for connecting with gear box provides quick and easy mounting free from demounting screws.

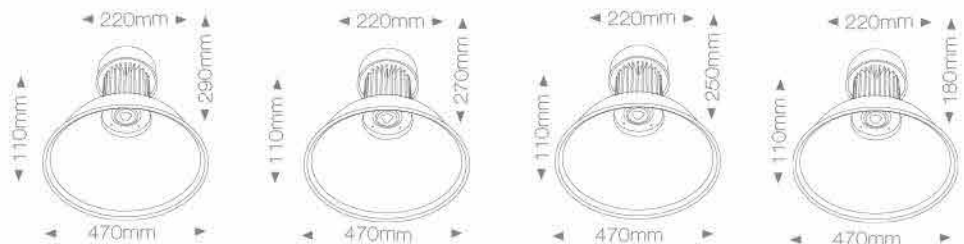
Installation

Gear box integrated with sling ring provides easy connection to chain or to steel wire for suspended mounting.



Design Application

System is designed for high ceiling industrial spaces, retail distribution centres, storage areas, gymnasiums.



LED Driver 220V 240V 230V 50Hz 60Hz IP44 I F CE TRIDONIC Driver DIMMABLE Driver 95°

Product Range and Reference

Model	Power	Voltage	CRI	Luminous Flux	Colour Temp	Dimension	Material	Beam Angle
62 201	50W	100 - 240V	>80	4000	6500K	220 x 180 x 470	Aluminum	55 Degree
62 202	50W	100 - 240V	>80	4000	3000K	220 x 180 x 470	Aluminum	55 Degree
62 203	100W	100 - 240V	>80	8000	6500K	220 x 250 x 470	Aluminum	55 Degree
62 204	100W	100 - 240V	>80	8000	3000K	220 x 250 x 470	Aluminum	55 Degree
62 205	150W	100 - 240V	>80	12000	8500K	220 x 270 x 470	Aluminum	55 Degree
62 206	150W	100 - 240V	>80	12000	3000K	220 x 270 x 470	Aluminum	55 Degree
62 207	200W	100 - 240V	>80	16000	6500K	220 x 290 x 470	Aluminum	55 Degree
62 208	200W	100 - 240V	>80	16000	3000K	220 x 290 x 470	Aluminum	55 Degree

LED



Street Lights

ECOVIA SERIES

LED street light luminair

Product Description

High brightness SMD LED as light source, efficient, energy saving, long life span of up to 40000 hours and environment friendly.

Housing

Die casting aluminium housing with corrosion resistant polyester powder coat finish.
Aluminium side clips with screw tightening system.

Glass

High intensity tempered glass in the compact frame installation provides high durability and weather resistance

Driver

Constant current built-in driver.
PB and HG free, environment friendly.

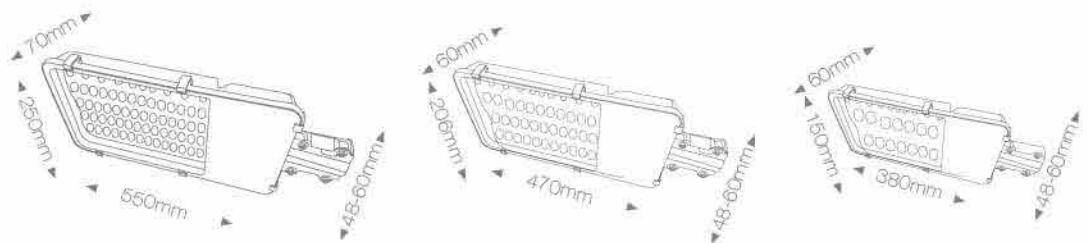
Installation

Through street light pole and bracket or wall fixed bracket.



Design Application

Area lighting for urban and rural roads, highways, building exterior, public areas, pool area, dock, monument, walls, and outdoor general areas.



LED Driver	220V	230V	240V	50Hz	60Hz	IP65	I	F	CE
------------	------	------	------	------	------	------	---	---	----

Product Range and Reference

Model	Power	Voltage	CRI	Luminous Flux	Colour Temp	Dimension	Pipe Dia.	LED Type	IP Grade	Angle	Material
64-453	24W	220-240V	>80	1920	6500K/3000K	380 x 160 x 60	48-60 Adjust.	Epistal SMD	IP65	120°	Aluminium+PC+PMMA+Glass
64-455	40W	220-240V	>80	3200	6500K/3000K	470 x 206 x 60	48-60 Adjust.	Epistal SMD	IP65	120°	Aluminium+PC+PMMA+Glass
64-457	60W	220-240V	>80	4800	6500K/3000K	550 x 250 x 70	48-60 Adjust.	Epistal SMD	IP65	120°	Aluminium+PC+PMMA+Glass

MATRIX SERIES

LED street light luminair

Product Description

High brightness COB LED as light source, efficient, energy saving, long life span of up to 40000 hours and environment friendly.

Housing

Die casting aluminium housing with corrosion resistant polyester powder coat finish.
Aluminium side clips with screw tightening system,

Glass

High intensity tempered glass in the compact frame installation provides high durability and weather resistance

Driver

Constant current built-in driver.
PB and HG free, environment friendly.

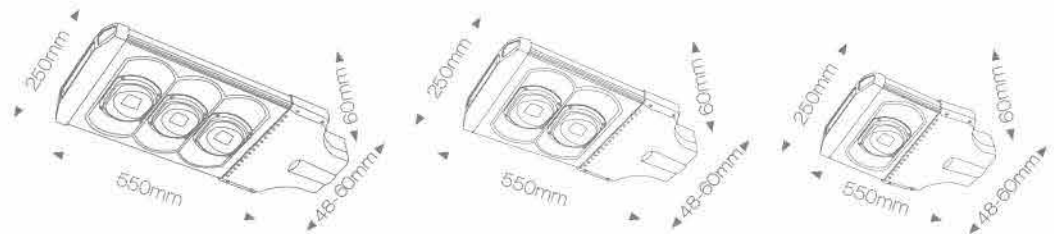
Installation

Through street light pole and bracket or wall fixed bracket.



Design Application

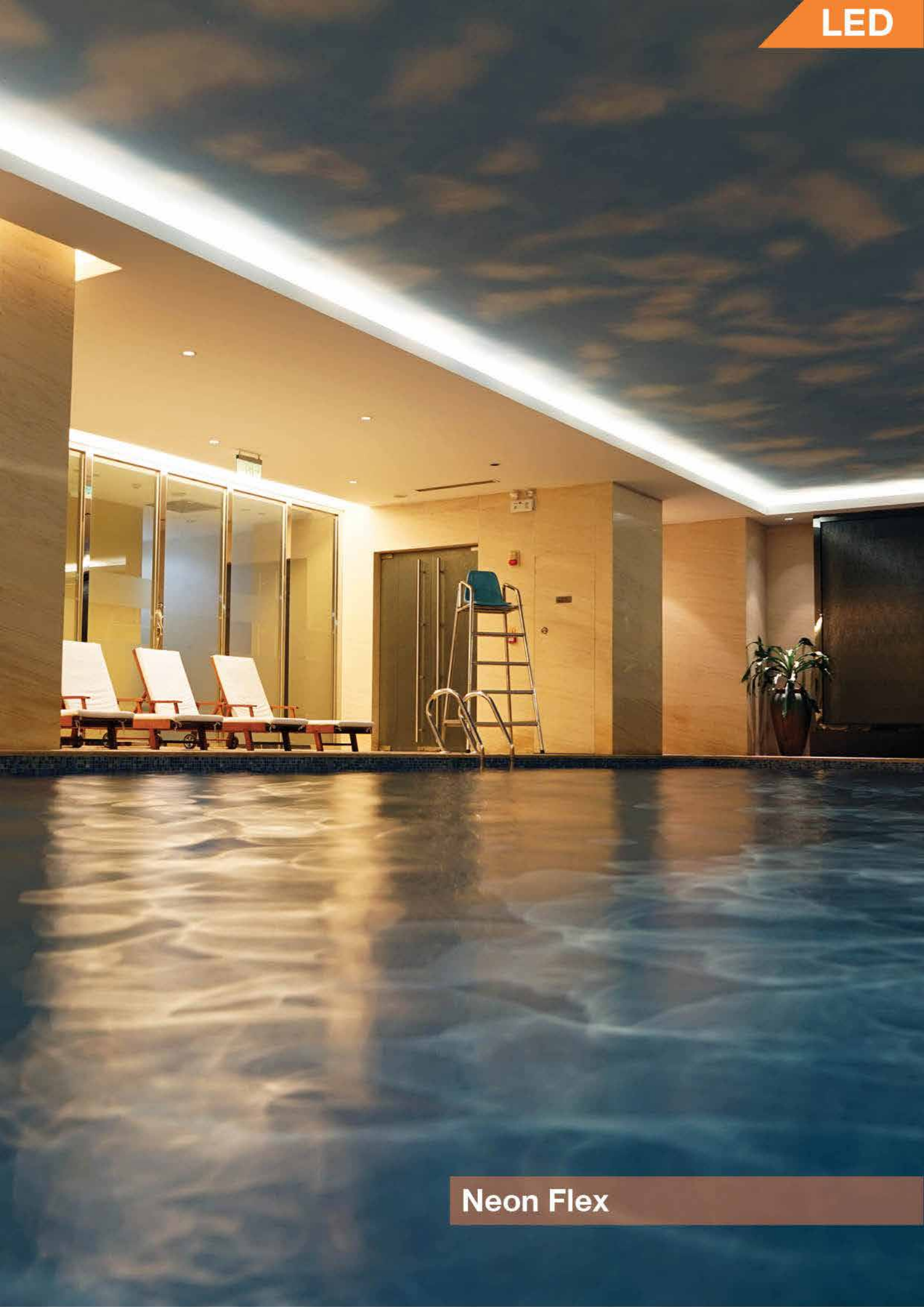
Area lighting for urban and rural roads, highways, building exterior, public areas, pool area, dock, monument, walls, and outdoor general areas.



Product Range and Reference

Model	Power	Voltage	CRI	Luminous Flux	Colour Temp.	Dimension	Pipe Dia.	LED Type	IP Grade	Angle	Material
64-403	60W	100-265V	>80	4250	6500K/3000K	390 x 250 x 110	40	Epistal COB	IP65	120°	Aluminium+PC+PMMA+Glass
64-404	100W	100-265V	>80	8500	6500K/3000K	550 x 250 x 110	60	Epistal COB	IP65	120°	Aluminium+PC+PMMA+Glass
64-405	150W	100-265V	>80	12750	6500K/3000K	750 x 250 x 110	60	Epistal COB	IP65	120°	Aluminium+PC+PMMA+Glass

LED



Neon Flex

NEON FLEX SERIES

LED linear flexible lighting

Product Description

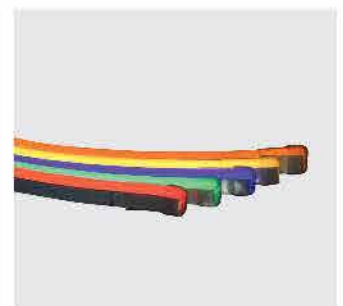
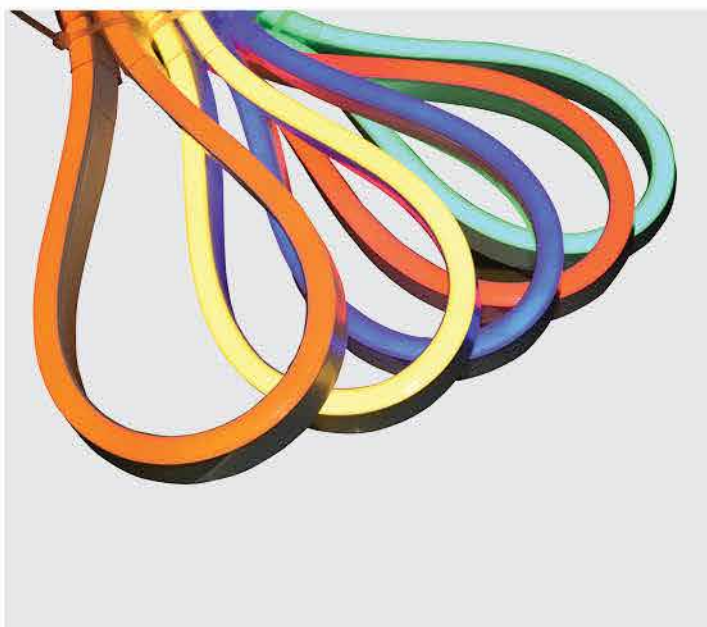
High brightness 220V powered LED NEON FLEX, is the latest solution for Direct and indirect lighting installations, highly flexible and resistant insulation material makes it very unique with multiple application options including replacement of classic NEON tube, proved to be more efficient, more attractive with continuous straight lines, high brightness, longer life span of up to 50000 Hours.

High quality PCB and electronic components are used to ensure efficient electrical conductivity and maximum power usage at both ends.

Standard roll includes 5 power cord, 20 middle connector, 20 end caps, .50 aluminium support.
Driver-power supply not included.

Accessories

- 56501: Power Cord
- 56502: Middle Cord
- 56503: End Cap
- 56504: Aluminium Profile Support
- 56505: Connection Pin

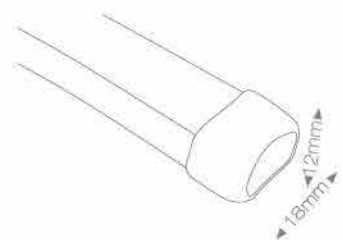


Design Application

Signboards, outdoor decoration, building facades, hotels, hospitals, schools, 3D advertising, gardens, wedding halls, home decoration, ceilings, displays boards, Furniture, commercial and residential areas, etc.

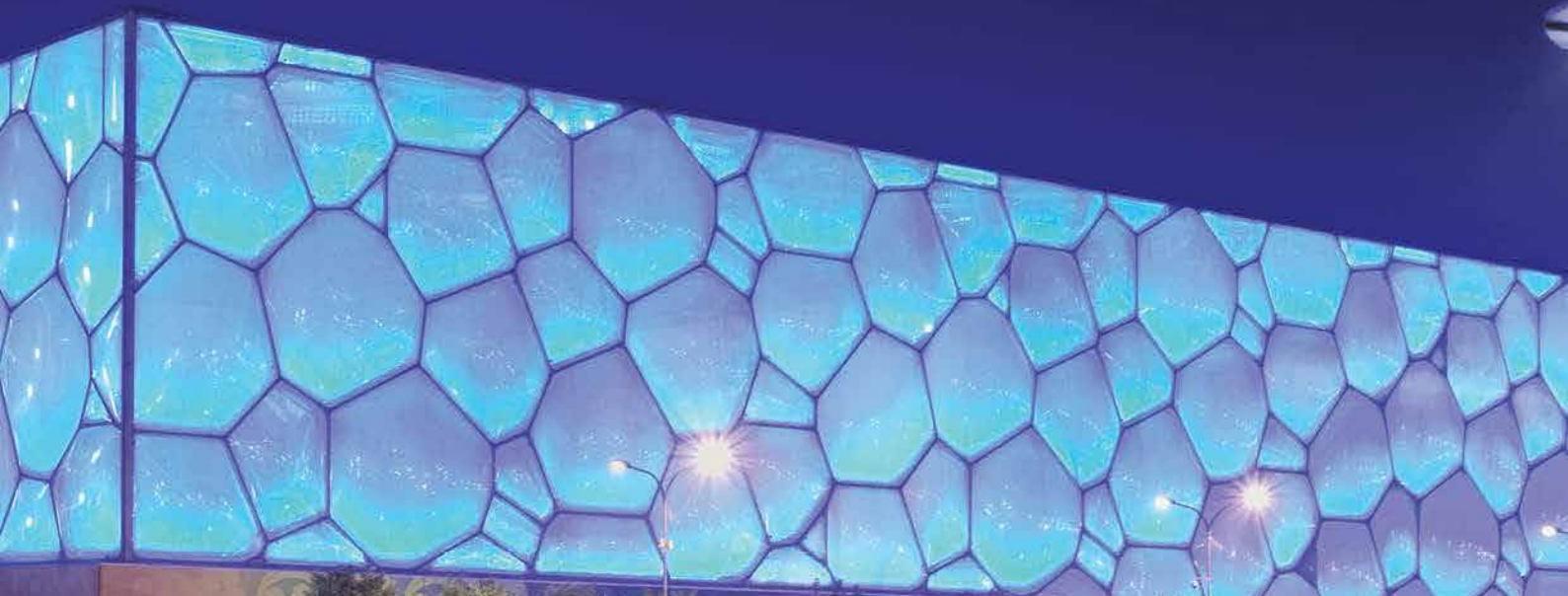
OPTIONS

12V or 220V	Flexible	50Hz	60Hz	IP65 or IP68	I	F	CE	TRIDONIC Driver	DIMMABLE Driver	DALI	DMX
-------------	----------	------	------	--------------	---	---	----	-----------------	-----------------	------	-----



Product Range and Reference

Model	Power	Voltage	CRI	Luminous Flux	Colour temp.	LED Qty. (p/mt)	IP Grade	Dimension	LED Chip	Colour	Packing
56 451	12w per meter	220-240V	>80	1008	6500K	72	IP65	12 x 10000	2835	White	100mt PVC roll with Carton
56 451	12w per meter	220-240V	>80	936	3000K	72	IP65	12 x 10000	2835	Warm White	100mt PVC roll with Carton
56 451	12w per meter	220-240V	>80	1008	5000K	72	IP65	12 x 10000	2835	Neutral White	100mt PVC roll with Carton
56 451	12w per meter	220-240V	>80	576	-----	72	IP65	12 x 10000	2835	Blue	100mt PVC roll with Carton
56 451	12w per meter	220-240V	>80	936	-----	72	IP65	12 x 10000	2835	Yellow	100mt PVC roll with Carton
56 451	12w per meter	220-240V	>80	576	-----	72	IP65	12 x 10000	2835	Red	100mt PVC roll with Carton
56 451	12w per meter	220-240V	>80	648	-----	72	IP65	12 x 10000	2835	Green	100mt PVC roll with Carton
56 451	12w per meter	220-240V	>80	1008	-----	72	IP65	12 x 10000	2835	RGB Multicolour	100mt PVC roll with Carton
56 451	12w per meter	12V	>80	1008	6500K	72	IP68	12 x 10000	2835	White	100mt PVC roll with Carton
56 451	12w per meter	12V	>80	936	3000K	72	IP68	12 x 10000	2835	Warm White	100mt PVC roll with Carton
56 451	12w per meter	12V	>80	1008	5000K	72	IP68	12 x 10000	2835	Neutral White	100mt PVC roll with Carton
56 451	12w per meter	12V	>80	576	-----	72	IP68	12 x 10000	2835	Blue	100mt PVC roll with Carton
56 451	12w per meter	12V	>80	936	-----	72	IP68	12 x 10000	2835	Yellow	100mt PVC roll with Carton
56 451	12w per meter	12V	>80	576	-----	72	IP68	12 x 10000	2835	Red	100mt PVC roll with Carton
56 451	12w per meter	12V	>80	648	-----	72	IP68	12 x 10000	2835	Green	100mt PVC roll with Carton
56 451	12w per meter	12V	>80	1008	-----	72	IP68	12 x 10000	2835	RGB Multicolour	100mt PVC roll with Carton



Modules

INFUSION SERIES

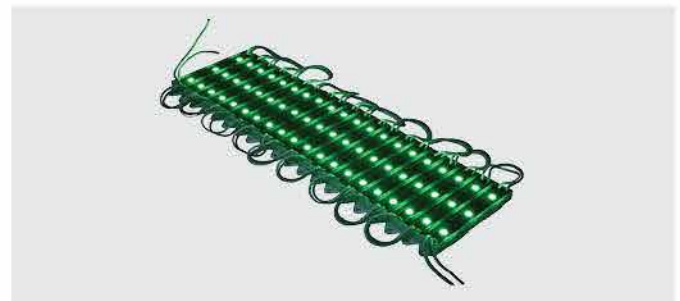
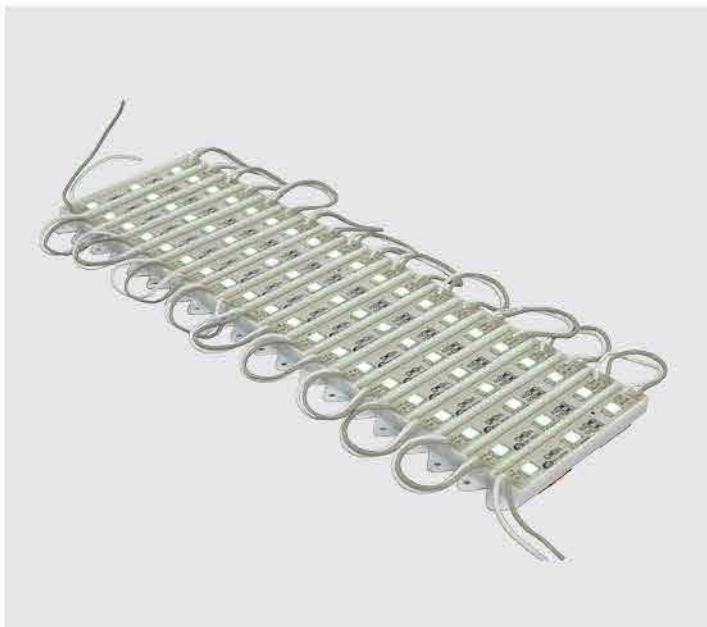
LED module

Product Description

LED module is a game changing technology and the back bone of flexible and back lighting solution in the market, with versatile combination of high luminance miniature design and easy installation. The LED module technology is applied in wide range of areas such as kitchen, galleries, showrooms, hotels, restaurant, signboard mesuem, commercial and residential buildings.

Wide range of colors,
High beam intensity,
Upto 75% energy saving,
Fire proof housing,
Constant current,

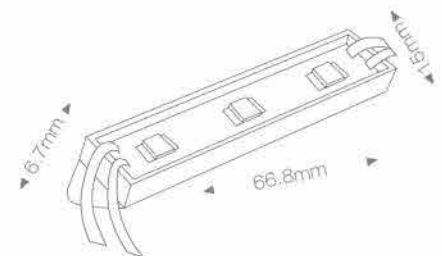
Driver-power supply not included.



Design Application

False ceiling borders, cabinets, signboards, home decoration, displays boards, Furniture, commercial and residential areas, aluminium channels, etc.

12V Self Adhesive 50Hz 60Hz IP67 I F CE TRIGONIC Driver



Product Range and Reference

Model	Power	Voltage	CRI	Luminous Flux	Colour-Tem	LED Qty(p/md)	IP-Grade	Dimension	LED Chip	Colour	Material
56 270	1.5w per module	12V	>80	130lm/module	6500K	3	IP67	66.8 x 15 x 6.7	2835	White	Alum. + ABS injection
56 271	1.5w per module	12V	>80	130lm/module	5000K	3	IP67	66.8 x 15 x 6.7	2835	Neutral White	Alum. + ABS injection
56 272	1.5w per module	12V	>80	130lm/module	3000K	3	IP67	66.8 x 15 x 6.7	2835	Warm white	Alum. + ABS injection
56 273	1.5w per module	12V	>80	130lm/module	-----	3	IP67	66.8 x 15 x 6.7	2835	Blue	Alum. + ABS Injection
56 274	1.5w per module	12V	>80	130lm/module	-----	3	IP67	66.8 x 15 x 6.7	2835	Pied	Alum. + ABS Injection
56 275	1.5w per module	12V	>80	130lm/module	-----	3	IP67	66.8 x 15 x 6.7	2835	Green	Alum. + ABS Injection
56 276	1.5w per module	12V	>80	130lm/module	-----	3	IP67	66.8 x 15 x 6.7	2835	Yellow	Alum. + ABS Injection



Track Lights

CONTEMPO SERIES

LED track light single circuit

Product Description

Housing

Made of high quality die casting aluminium, efficient heat sink design ensures proper heat dissipation.

Full 360° directional body.

LED COB chip provides high beam output, low energy consumption and rated life time of 35000 hours.

Reflector

High specular anodised aluminium reflector provides high uniformity and optimum reflecting efficiency.

Driver

Constant current built-in driver.

PB and HG free, environment friendly.

Track

Design to suit global standard single circuit track.

Accessories

50040: 2 meter track (Black or white colour)

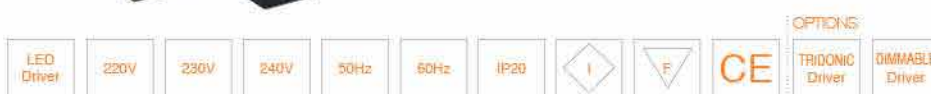
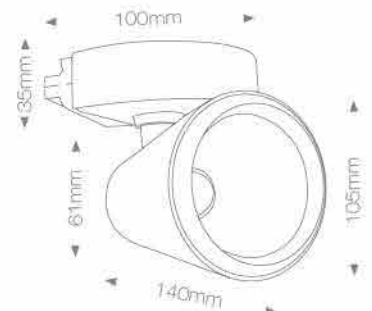
50041: Linear joint connector (Black or white colour)

50043: T-Junction connection (Black or white colour)



Design Application

Retail, showrooms, galleries, shops, museums, hotels, restaurants, theaters, conference halls, office, supermarkets, residential and commercial areas.



Product Range and Reference

Model	Power	Voltage	CRI	Luminous Flux	Lumin Effe.	Colour Temp.	Colour	Module	IP Grade	Beam Angle	Material
60 001	30W	220-240V	>80	2800	93.3lm/w	6500K	White or Black	COB	IP20	46°	Die cast aluminium + GLA + PC
60 002	30W	220-240V	>80	2800	93.3lm/w	3000K	White or Black	COB	IP20	46°	Die cast aluminium + GLA + PC

ECO TRACK SERIES

LED track light single circuit

Product Description

Housing

Made of high quality die casting aluminium, efficient heat sink design ensures proper heat dissipation. Full 360° directional body.

LED COB chip provides high beam output, low energy consumption and rated life time of 35000 hours.

Reflector

High specular anodised aluminium reflector provides high uniformity and optimum reflecting efficiency.

Driver

Constant current built-in driver.

PB and HG free, environment friendly.

Track

Design to suit global standard single circuit track.

Accessories

50040: 2 meter track (Black or white colour)

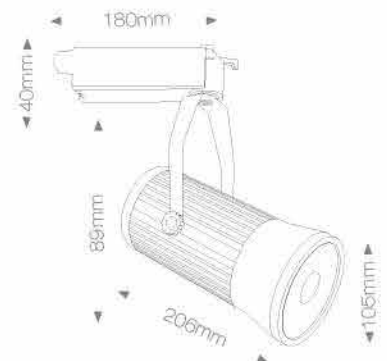
50041: Linear joint connector (Black or white colour)

50043: T-Junction connection (Black or white colour)



Design Application

Retail, showrooms, galleries, shops, museums, hotels, restaurants, theaters, conference halls, office, supermarkets, residential and commercial areas.



Product Range and Reference

Model	Power	Voltage	CRI	Luminous Flux	Lumin Effe.	Colour Temp.	Colour	Module	IP Grade	Beam Angle	Material
50 004	30W	220-240V	>80	2100	70lm/w	6500K	White or Black	COB	IP20	42°	Die cast aluminium + GLA + PC
50 006	30W	220-240V	>80	2100	70lm/w	3000K	White or Black	COB	IP20	42°	Die cast aluminium + GLA + PC

ROBUS SERIES

LED track light single circuit

Product Description

Housing

Made of high quality die casting aluminium, efficient heat sink design ensures proper heat dissipation.

Full 360° directional body.

LED COB chip provides high beam output, low energy consumption and rated life time of 35000 hours.

Reflector

High specular anodised aluminium reflector provides high uniformity and optimum reflecting efficiency.

Driver

Constant current built-in driver.

PB and HG free, environment friendly.

Track

Design to suit global standard single circuit track.

Accessories

50040: 2 meter track (Black or white colour)

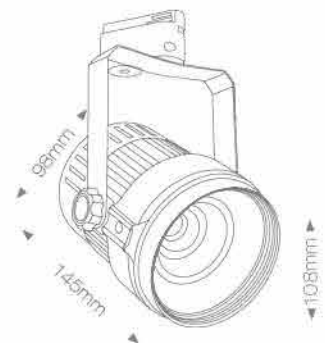
50041: Linear joint connector (Black or white colour)

50043: T-Junction connection (Black or white colour)



Design Application

Retail, showrooms, galleries, shops, museums, hotels, restaurants, theaters, conference halls, office, supermarkets, residential and commercial areas.



Product Range and Reference

Model	Power	Voltage	CRI	Luminous Flux	Lumin Effe.	Colour Temp.	Colour	Module	IP Grade	Beam Angle	Material
50 006	35W	220-240V	>80	2900	80lm/w	6500K	White or Black	COB	IP20	38°	Die cast aluminium + GLA + PC
50 006	35W	220-240V	>80	2800	80lm/w	3000K	White or Black	COB	IP20	38°	Die cast aluminium + GLA + PC

RUBOS SERIES 2

LED track light single circuit

Product Description

Housing

Made of high quality die casting aluminium, efficient heat sink design ensures proper heat dissipation.

Full 360° directional body.

LED COB chip provides high beam output, low energy consumption and rated life time of 35000 hours.

Reflector

High specular anodised aluminium reflector provides high uniformity and optimum reflecting efficiency.

Driver

Constant current built-in driver.

PB and HG free, environment friendly.

Track

Design to suit global standard single circuit track.

Accessories

50040: 2 meter track (Black or white colour)

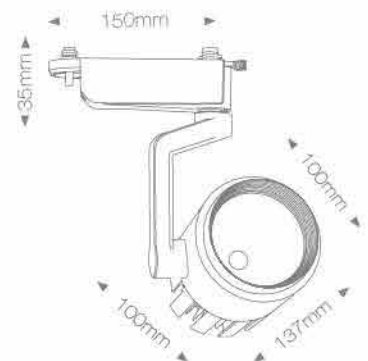
50041: Linear joint connector (Black or white colour)

50043: T-Junction connection (Black or white colour)



Design Application

Retail, showrooms, galleries, shops, museums, hotels, restaurants, theaters, conference halls, office, supermarkets, residential and commercial areas.



Product Range and Reference

Model	Power	Voltage	CRI	Luminous Flux	Lumin Effe.	Colour Temp.	Colour	Module	IP Grade	Beam Angle	Material
50 008	30W	220-240V	>80	2400	80lm/w	6500K	White or Black	COB	IP20	36°	Die cast aluminium+ GLA+PC
50 009	30W	220-240V	>80	2400	80lm/w	3000K	White or Black	COB	IP20	36°	Die cast aluminium+ GLA+PC

LUMINA SERIES

LED track light single circuit

Product Description

Housing

Made of high quality die casting aluminium, efficient heat sink design ensures proper heat dissipation.

Full 360° directional body.

LED COB chip provides high beam output, low energy consumption and rated life time of 35000 hours.

Reflector

High specular anodised aluminium reflector provides high uniformity and optimum reflecting efficiency.

Driver

Constant current built-in driver.

PB and HG free, environment friendly.

Track

Design to suit global standard single circuit track.

Accessories

50040: 2 meter track (Black or white colour)

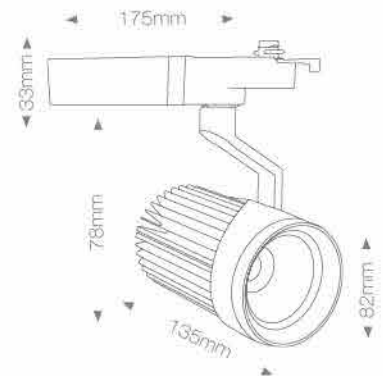
50041: Linear joint connector (Black or white colour)

50043: T-Junction connection (Black or white colour)



Design Application

Retail, showrooms, galleries, shops, museums, hotels, restaurants, theaters, conference halls, office, supermarkets, residential and commercial areas.



Product Range and Reference

Model	Power	Voltage	CRI	Luminous Flux	Lumin Effe.	Colour Temp.	Colour	Module	IP Grade	Beam Angle	Material
50 010	30W	220-240V	>80	2400	80lm/w	6500K	White or Black	COB	IP20	36°	Die cast aluminium + GLA + PC
50 011	30W	220-240V	>80	2400	80lm/w	3000K	White or Black	COB	IP20	36°	Die cast aluminium + GLA + PC

MARSET SERIES

LED track light single circuit

Product Description

Housing

Made of high quality die casting aluminium, efficient heat sink design ensures proper heat dissipation.

Full 360° directional body.

LED COB chip provides high beam output, low energy consumption and rated life time of 35000 hours.

Reflector

High specular anodised aluminium reflector provides high uniformity and optimum reflecting efficiency.

Driver

Constant current built-in driver.

PB and HG free, environment friendly.

Track

Design to suit global standard single circuit track.

Accessories

50040: 2 meter track (Black or white colour)

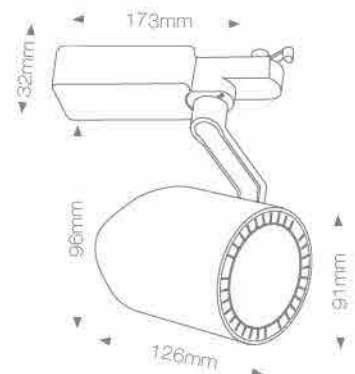
50041: Linear joint connector (Black or white colour)

50043: T-Junction connection (Black or white colour)



Design Application

Retail, showrooms, galleries, shops, museums, hotels, restaurants, theaters, conference halls, office, supermarkets, residential and commercial areas.



Product Range and Reference

Model	Power	Voltage	CRI	Luminous Flux	Lumin Effe.	Colour Temp.	Colour	Module	IP Grade	Beam Angle	Material
50 012	30W	220-240V	>80	2550	85lm/w	6500K	White or Black	COB	IP20	42°	Die cast aluminium + GLA + PC
50 013	30W	220-240V	>80	2550	85lm/w	3000K	White or Black	COB	IP20	42°	Die cast aluminium + GLA + PC

MARSET SERIES 2

LED track light single circuit

Product Description

Housing

Made of high quality die casting aluminium, efficient heat sink design ensures proper heat dissipation.

Full 360° directional body.

LED COB chip provides high beam output, low energy consumption and rated life time of 35000 hours.

Reflector

High specular anodised aluminium reflector provides high uniformity and optimum reflecting efficiency.

Driver

Constant current built-in driver.

PB and HG free, environment friendly.

Track

Design to suit global standard single circuit track.

Accessories

50040: 2 meter track (Black or white colour)

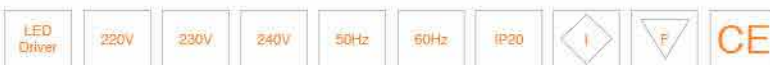
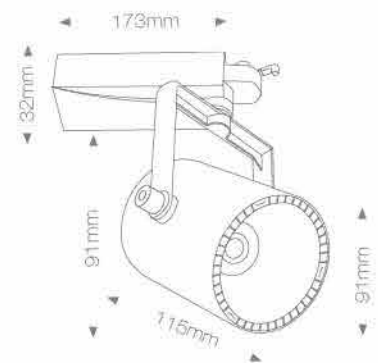
50041: Linear joint connector (Black or white colour)

50043: T-Junction connection (Black or white colour)



Design Application

Retail, showrooms, galleries, shops, museums, hotels, restaurants, theaters, conference halls, office, supermarkets, residential and commercial areas.



Product Range and Reference

Model	Power	Voltage	CRI	Luminous Flux	Lumin Effe.	Colour Temp.	Colour	Module	IP Grade	Beam Angle	Material
50 014	30W	220-240V	>80	2550	85lmW	6500K	White or Black	COB	IP20	42°	Die cast aluminium + GLA + PC
50 016	30W	220-240V	>80	2550	85lmW	3000K	White or Black	COB	IP20	42°	Die cast aluminium + GLA + PC

VISIO SERIES

LED track light single circuit

Product Description

Housing

Made of high quality die casting aluminium, efficient heat sink design ensures proper heat dissipation.

Full 360° directional body.

LED COB chip provides high beam output, low energy consumption and rated life time of 35000 hours.

Reflector

High specular anodised aluminium reflector provides high uniformity and optimum reflecting efficiency.

Driver

Constant current built-in driver.

PB and HG free, environment friendly.

Track

Design to suit global standard single circuit track.

Accessories

50040: 2 meter track (Black or white colour)

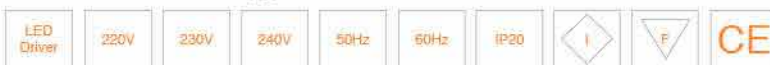
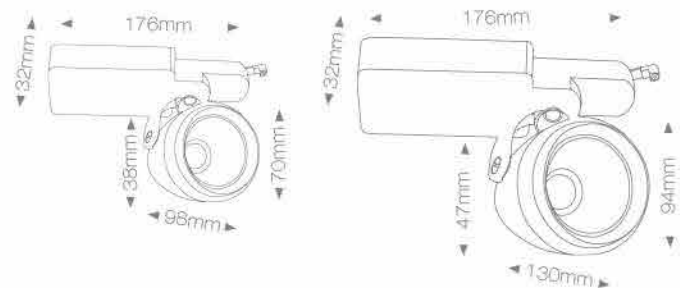
50041: Linear joint connector (Black or white colour)

50043: T-Junction connection (Black or white colour)



Design Application

Retail, showrooms, galleries, shops, museums, hotels, restaurants, theaters, conference halls, office, super-markets, residential and commercial areas.



Product Range and Reference

Model	Power	Voltage	CRI	Luminous Flux	Lumin Effe.	Colour Temp.	Colour	Module	IP Grade	Beam Angle	Material
50 016	15W	220-240V	>80	1125	75lm/w	6500K	White or Black	COB	IP20	36°	Die cast aluminium + GLA + PC
50 017	15W	220-240V	>80	1125	75lm/w	3000K	White or Black	COB	IP20	36°	Die cast aluminium + GLA + PC
50 018	20W	220-240V	>80	1500	75lm/w	6500K	White or Black	COB	IP20	36°	Die cast aluminium + GLA + PC
50 019	20W	220-240V	>80	1500	75lm/w	3000K	White or Black	COB	IP20	36°	Die cast aluminium + GLA + PC

BASIC SERIES

LED track light single circuit

Product Description

Housing

Made of high quality die casting aluminium, efficient heat sink design ensures proper heat dissipation.

Full 360° directional body.

LED COB chip provides high beam output, low energy consumption and rated life time of 35000 hours.

Reflector

High specular anodised aluminium reflector provides high uniformity and optimum reflecting efficiency.

Driver

Constant current built-in driver.

PB and HG free, environment friendly.

Track

Design to suit global standard single circuit track.

Accessories

50040: 2 meter track (Black or white colour)

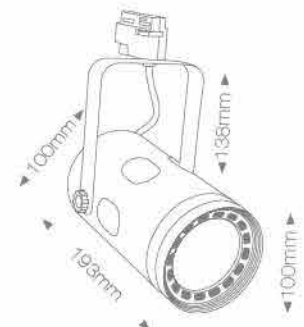
50041: Linear joint connector (Black or white colour)

50043: T-Junction connection (Black or white colour)



Design Application

Retail, showrooms, galleries, shops, museums, hotels, restaurants, theaters, conference halls, office, supermarkets, residential and commercial areas.



Product Range and Reference

Model	Power	Voltage	CRI	Luminous Flux	Lumin Effe.	Colour Temp.	Colour	Module	IP Grade	Beam Angle	Material
50 022	30W	220-240V	>80	2550	85lm/w	6500K	White or Black	COB	IP20	45°	Die cast aluminium + GLA + PC
50 023	30W	220-240V	>80	2550	85lm/w	3000K	White or Black	COB	IP20	45°	Die cast aluminium + GLA + PC

ODISSEI SERIES

LED track light single circuit

Product Description

Housing

Made of high quality die casting aluminium, efficient heat sink design ensures proper heat dissipation.

Full 360° directional body.

LED COB chip provides high beam output, low energy consumption and rated life time of 35000 hours.

Reflector

High specular anodised aluminium reflector provides high uniformity and optimum reflecting efficiency.

Driver

Constant current built-in driver.

PB and HG free, environment friendly.

Track

Design to suit global standard single circuit track.

Accessories

50040: 2 meter track (Black or white colour)

50041: Linear joint connector (Black or white colour)

50043: T-Junction connection (Black or white colour)



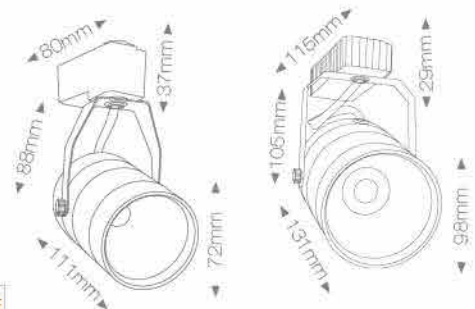
60 026



60 024

Design Application

Retail, showrooms, galleries, shops, museums, hotels, restaurants, theaters, conference halls, office, supermarkets, residential and commercial areas.



LED Driver	220V	230V	240V	50Hz	60Hz	IP20	I	F	CE	OPTICIS TRI/DONIC Driver	DIMMABLE Driver
------------	------	------	------	------	------	------	---	---	----	-----------------------------	-----------------

Product Range and Reference

Model	Power	Voltage	CRI	Luminous Flux	Lumin Effe.	Colour Temp.	Colour	Module	IP Grade	Beam Angle	Material
60 024	15W	220-240V	>80	1275	85lm/w	6500K	White or Black	COB	IP20	42°	Die cast aluminium + GLA + PC
60 026	15W	220-240V	>80	1275	85lm/w	3000K	White or Black	COB	IP20	42°	Die cast aluminium + GLA + PC
60 026	20W	220-240V	>80	1700	85lm/w	6500K	White or Black	COB	IP20	42°	Die cast aluminium + GLA + PC
60 027	20W	220-240V	>80	1700	85lm/w	3000K	White or Black	COB	IP20	42°	Die cast aluminium + GLA + PC

LED



Aluminium Profiles

LINEALUZ SERIES 1

LED recessed aluminium profile

Product Description

Recessed slim line aluminium profile is the ideal solution for linear type of lighting applied on kitchens cabinets, shelves, walls, ceilings, retails, supermarkets, offices, restaurants, cinemas, theaters and residential areas.

Diffuser

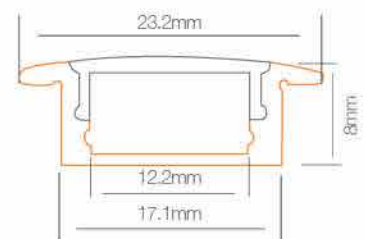
Equiped with standard opal PMMA diffuser and 2 end caps.



Accessories

LED driver/power supply not included

LED strip not included.



OPTIONS

12V	24V	230V	240V	50Hz	60Hz	IP44	I	F	CE	IP65
-----	-----	------	------	------	------	------	---	---	----	------

Product Range and Reference

Model	Source	Voltage	Diffuser	Length	Max. Strip Width	Colour	IP Grade	Material
56-290	Conventional LED Strip of upto 30W per meter	12V/24V/220V	Opal	2m	10mm	Aluminum Grey	Aluminum Grey	Aluminium Extrusion + PMMA

LINEALUZ SERIES 2

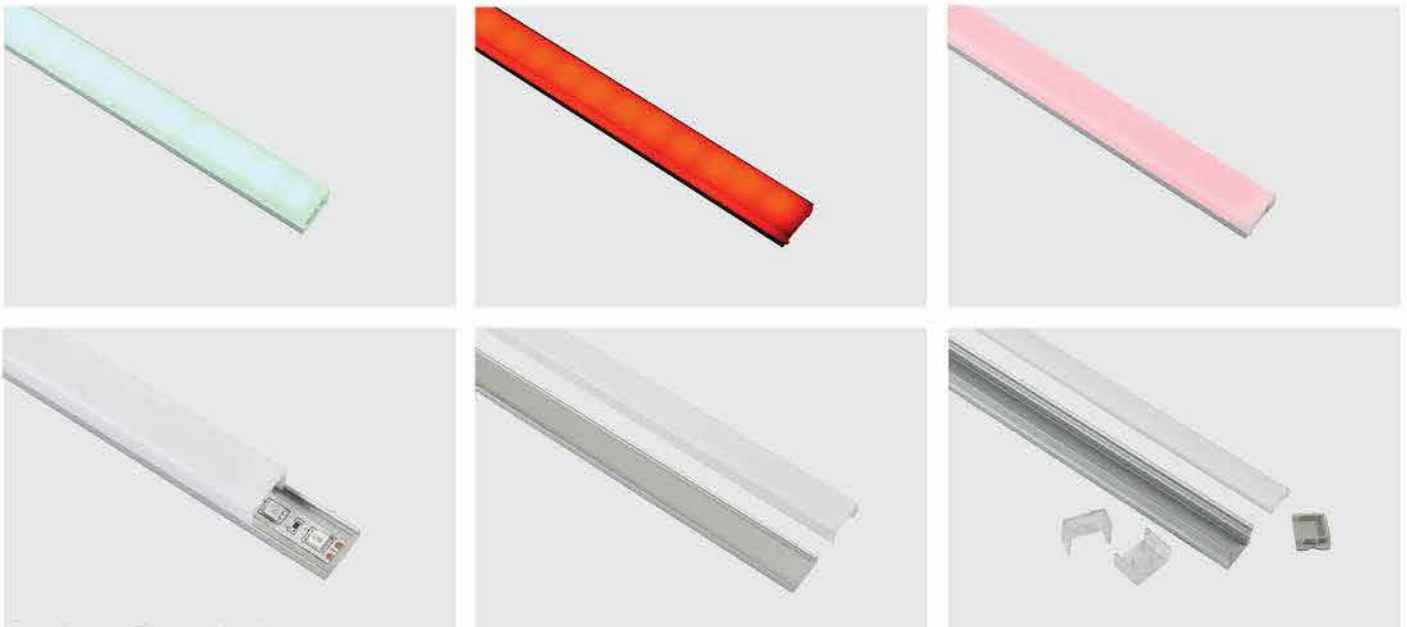
LED surface aluminium profile

Product Description

Surface slim line aluminium profile is the ideal solution for linear type of lighting applied on kitchens cabinets, shelves, walls, ceilings, retails, supermarkets, offices, restaurants, cinemas, theaters and residential areas.

Diffuser

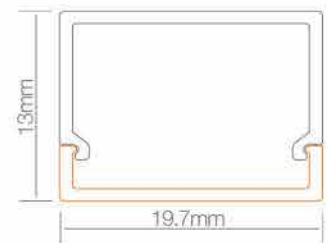
Equiped with standard opal PMMA diffuser and 2 end caps.



Accessories

LED driver/power supply not included

LED strip not included.



Product Range and Reference

Model	Source	Voltage	Diffuser	Length	Max. Strip Width	Colour	IP Grade	Material
56.291	Conventional LED Strip of upto 30W per meter	12V/24V/220V	Opal	2m	10mm	Aluminum Grey	Aluminum Grey	Aluminium Extrusion + PMMA

LINEALUZ SERIES 3

LED surface/recessed aluminium profile

Product Description

Surface/recessed slim line aluminium profile is the ideal solution for linear type of lighting applied on kitchens, cabinets, shelves, walls, ceilings, retails, supermarkets, offices, restaurants, cinemas, theaters and residential areas.

Diffuser

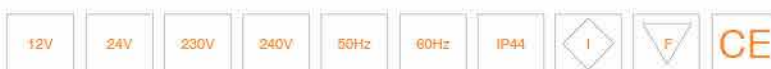
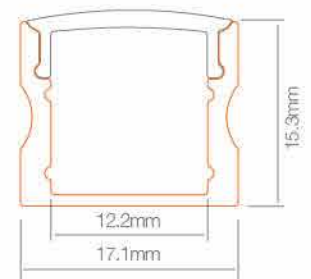
Equipped with standard opal PMMA diffuser and 2 end caps.



Accessories

LED driver/power supply not included

LED strip not included.



Product Range and Reference

Model	Source	Voltage	Diffuser	Length	Max. Strip Width	Colour	IP Grade	Material
56 292	Conventional LED Strip of upto 30W per meter	12V/24V/220V	Opal	2m	10mm	Aluminum Grey	Aluminum Grey	Aluminium Extrusion + PMMA

LINEALUZ SERIES 4

LED surface aluminium profile

Product Description

Surface slim line aluminium profile is the ideal solution for linear type of lighting applied on kitchens cabinets, shelves, walls, ceilings, retails, supermarkets, offices, restaurants, cinemas, theaters and residential areas.

Diffuser

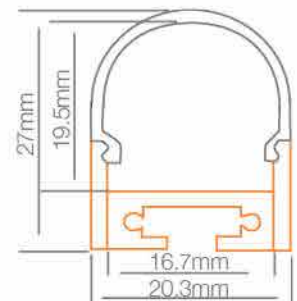
Equiped with standard opal PMMA diffuser and 2 end caps.



Accessories

LED driver/power supply not included

LED strip not included.



Product Range and Reference

Model	Source	Voltage	Diffuser	Length	Max. Strip Width	Colour	IP Grade	Material
56 293	Conventional LED Strip of upto 30W per meter	12V/24V/220V	Opal	2m	10mm	Aluminum Grey	Aluminum Grey	Aluminium Extrusion + PMMA

LINEALUZ SERIES 5

LED corner aluminium profile

Product Description

Corner slim line aluminium profile is the ideal solution for linear type of lighting applied on kitchens cabinets, shelves, walls, ceilings, retails, supermarkets, offices, restaurants, cinemas, theaters and residential areas.

Diffuser

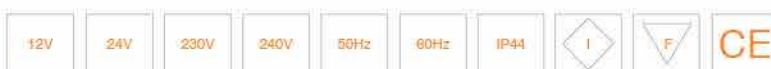
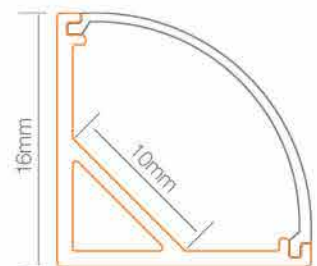
Equipped with standard opal PMMA diffuser and 2 end caps.



Accessories

LED driver/power supply not included

LED strip not included.



Product Range and Reference

Model	Source	Voltage	Diffuser	Length	Max. Strip Width	Colour	IP Grade	Material
56-294	Conventional LED Strip of upto 30W per meter	12V/24V/220V	Opal	2m	10mm	Aluminum Grey	Aluminum Grey	Aluminium Extrusion + PMMA

LINEALUZ SERIES 6

LED multi use aluminium profile

Product Description

Multi use slim line aluminium profile is the ideal solution for linear type of lighting applied on kitchens cabinets, shelves, walls, ceilings, retails, supermarkets, offices, restaurants, cinemas, theaters and residential areas. Profile features backside space for driver/power supply allowing this profile to be designed has multiple types of pendant.

Diffuser

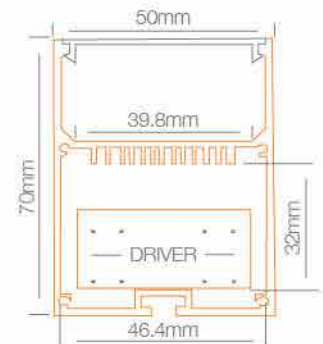
Equiped with standard opal PMMA diffuser and 2 end caps.



Accessories

LED driver/power supply not included

LED strip not included.



Product Range and Reference

Model	Source	Voltage	Diffuser	Length	Max. Strip Width	Colour	IP Grade	Material
66 295	Conventional LED Strip of upto 30W per meter	12V/24V/220V	Opal	2m	10mm	Aluminum Grey	Aluminum Grey	Aluminium Extrusion + PMMA

LINEALUZ SERIES 7

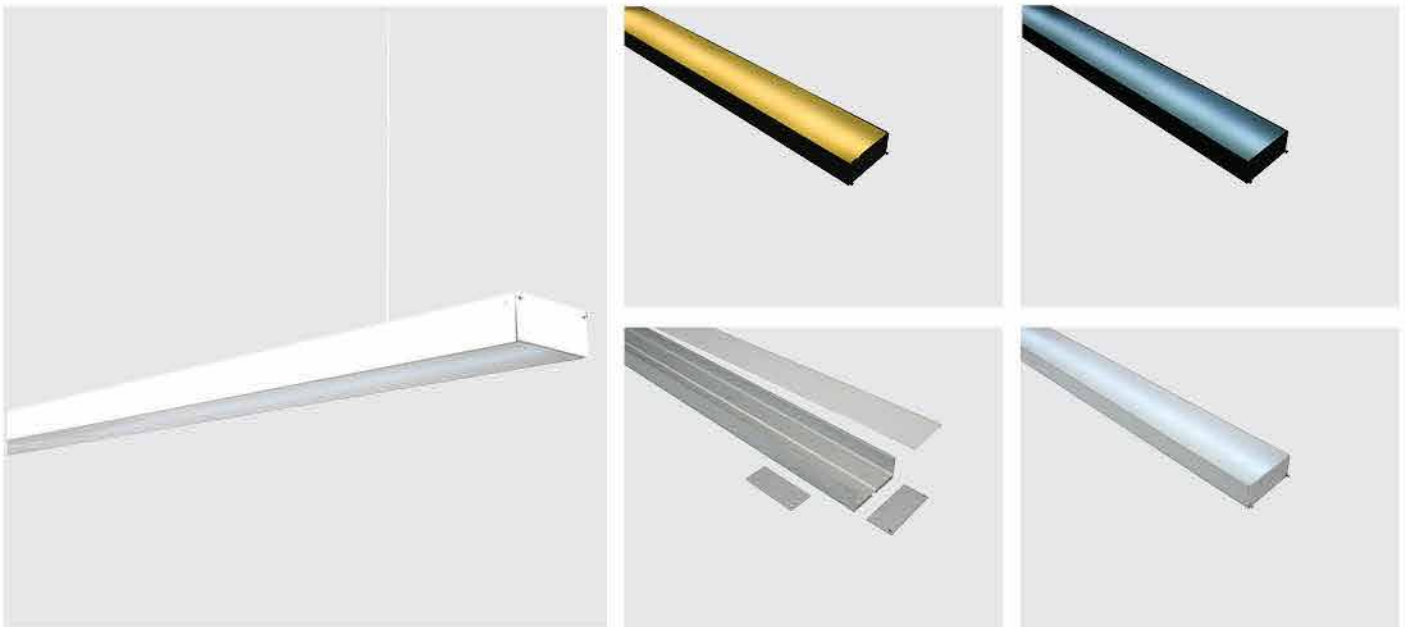
LED multi use aluminium profile

Product Description

Multi use slim line aluminium profile is the ideal solution for linear type of lighting applied on kitchens cabinets, shelves, walls, ceilings, retails, supermarkets, offices, restaurants, cinemas, theaters and residential areas.

Diffuser

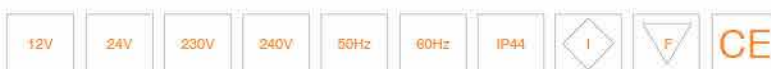
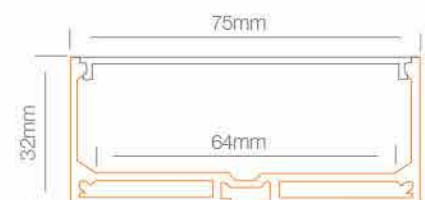
Equipped with standard opal PMMA diffuser and 2 end caps.



Accessories

LED driver/power supply not included

LED strip not included.



Product Range and Reference

Model	Source	Voltage	Diffuser	Length	Max. Strip Width	Colour	IP Grade	Material
56-296	Conventional LED Strip of upto 30W per meter	12V/24V/220V	Opal	2m	10mm	Aluminum Grey	Aluminum Grey	Aluminium Extrusion + PMMA

LED



Pendants

ORBIT SERIES

LED pendant

Product Description

The orbit pendant light features a crystal stream line light in design. This ring of light is designed to be a glimmering light source, the hanging wires are adjustable in allows to explore multiple styles and positions.

SMD light chips with rated life time of 30000 hours.

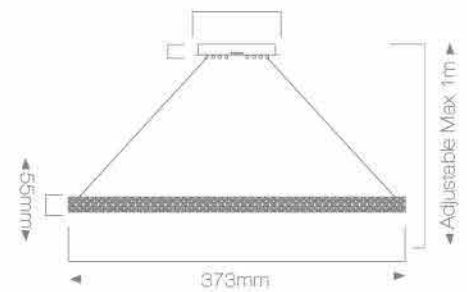
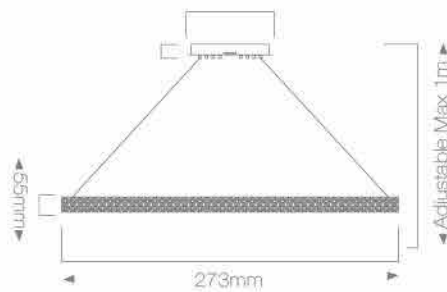
Driver

Constant current built-in driver.
PB and HG free,environment friendly.



Design Application

Residential, retails, hotels, restaurants, offices, and commercial areas.



LED Driver 220V 230V 240V 50Hz 60Hz IP20 I F CE DIMMABLE

Product Range and Reference

Model	Power	Voltage	CRI	Luminous Flux	Lumin Eff.	Colour Temp.	Dimension	LED Type	IP Grade	Material
78 054	18W	100 - 265V	>80	1530	85lm/w	6500K+ 3000K	373 x 55	SMD	IP20	Crystal + Steel
78 055	30W	100 - 265V	>80	2550	85lm/w	6500K+ 3000K	273 x 55	SMD	IP20	Crystal + Steel

ORBIT SERIES 2

LED pendant

Product Description

The orbit pendant light features a crystal stream line light in design. This ring of light is designed to be a glimmering light source, the hanging wires are adjustable in allows to explore multiple styles and positions.

SMD light chips with rated life time of 30000 hours.

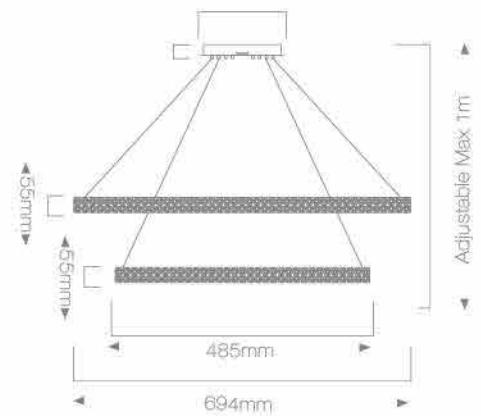
Driver

Constant current built-in driver.
PB and HG free,environment friendly.



Design Application

Residential, retails, hotels, restaurants, offices, and commercial areas.



LED Driver 220V 230V 240V 50Hz 60Hz IP20 I F CE **OPTIONS** DIMMABLE

Product Range and Reference

Model	Power	Voltage	CRI	Luminous Flux	Lumin Eff.	Colour Temp.	Dimension	LED Type	IP Grade	Material
78 066	85W	100 - 265V	>80	7225lm	85lm/w	6500K + 3000K	694 x 485 x 55	SMD	IP20	Crystal + Steel

ORBIT SERIES 3

LED pendant

Product Description

The orbit pendant light features a crystal stream line light in design. This ring of light is designed to be a glimmering light source, the hanging wires are adjustable in allows to explore multiple styles and positions.

SMD light chips with rated life time of 30000 hours.

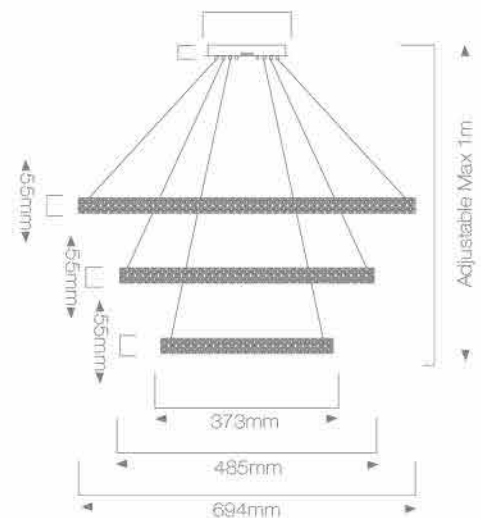
Driver

Constant current built-in driver.
PB and HG free,environment friendly.



Design Application

Residential, retails, hotels, restaurants, offices, and commercial areas.



LED Driver 220V 230V 240V 50Hz 60Hz IP20 I F CE DIMMABLE

Product Range and Reference

Model	Power	Voltage	CFI	Luminous Flux	Lumin Eff.	Colour Temp.	Dimension	LED Type	IP Grade	Material
78 057	115W	100 - 265V	>80	9775lm	85lm/w	6500K + 3000K	694 x 485 x 373 x 55	SMD	IP20	Crystal + Steel

GOLDNET SERIES

LED pendant

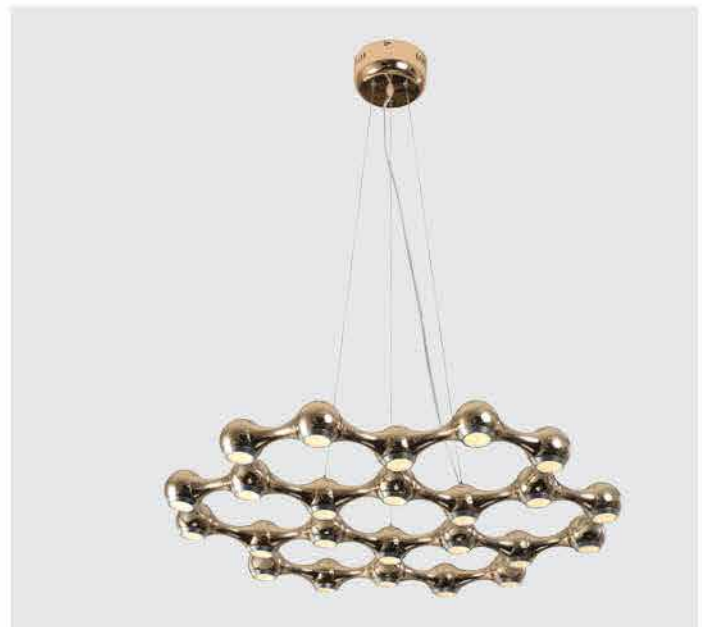
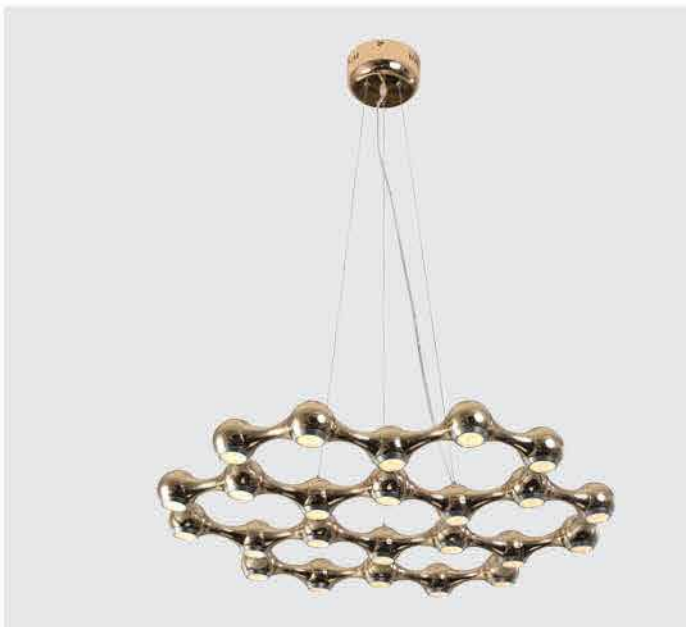
Product Description

SMD light chips with rated life time of 30000 hours.

Driver

Constant current built-in driver.

PB and HG free,environment friendly.



Design Application

Residential, retail, hotels, restaurants, offices, and commercial areas.

LED Driver	220V	230V	240V	50Hz	60Hz	IP20	I	F	CE	OPTIONS
										DIMMABLE

Product Range and Reference

Model	Power	Voltage	CRI	Luminous Flux	Lumin Eff.	Colour Temp.	Dimension	LED Type	IP Grade	Material
78 101	36W	100-265V	>80	2880	85lm/w	6500K/3000K	660x95	SMD	IP20	Glass + Steel

INFINITY SERIES 1

LED pendant

Product Description

High brightness SMD LED as light source, efficient, energy saving, long life span of up to 40000 hours and environment friendly.

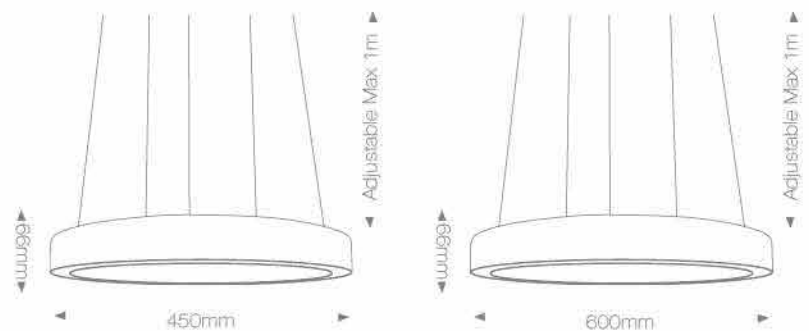
Driver

Constant current built-in driver.
PB and HG free, environment friendly.



Design Application

Residential, retail, hotels, restaurants, offices, and commercial areas.



LED Driver: 220V 230V 240V 50Hz 60Hz IP20 I F CE DIMMABLE

Product Range and Reference

Model	Power	Voltage	CRI	Luminous Flux	Lumin Eff.	Colour Temp.	Dimension	LED Type	IP Grade	Material
78 003	26W	100 - 265V	>80	2080	85lm/w	6500K/3000K	600 x 66	SMD	IP20	Glass + Die Cast Alum.
78 004	40W	100 - 265V	>80	2080	85lm/w	6500K/3000K	450 x 66	SMD	IP20	Glass + Die Cast Alum.

INFINITY SERIES 2

LED pendant

Product Description

High brightness SMD LED as light source, efficient, energy saving, long life span of up to 40000 hours and environment friendly.

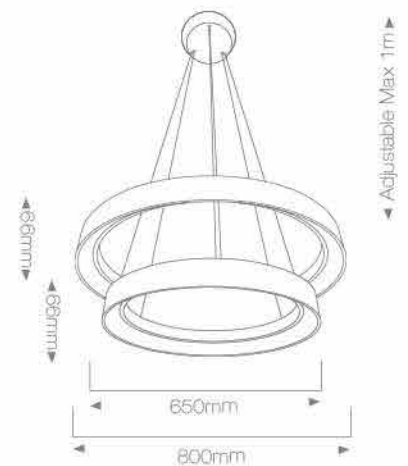
Driver

Constant current built-in driver.
PB and HG free, environment friendly.



Design Application

Residential, retail, hotels, restaurants, offices, and commercial areas.



LED Driver	220V	230V	240V	50Hz	60Hz	IP20	I	F	CE	OPTIONS
										DIMMABLE

Product Range and Reference

Model	Power	Voltage	CRI	Luminous Flux	Lumin Eff.	Colour Temp.	Dimension	LED Type	IP Grade	Material
78 002	60W	100 - 265V	>80	4800	85lm/w	6500K/3000K	800 x 650 x 66	SMD	IP20	Glass + Die Cast Alum.

INFINITY SERIES 3

LED pendant

Product Description

High brightness SMD LED as light source, efficient, energy saving, long life span of up to 40000 hours and environment friendly.

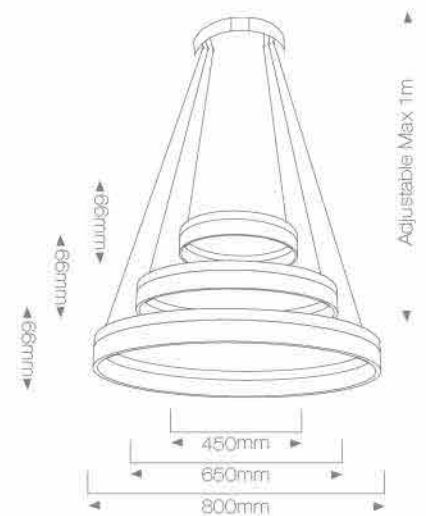
Driver

Constant current built-in driver.
PB and HG free, environment friendly.



Design Application

Residential, retail, hotels, restaurants, offices, and commercial areas.



LED Driver	220V	230V	240V	50Hz	60Hz	IP20	I	F	CE	OPTIONS
										DIMMABLE

Product Range and Reference

Model	Power	Voltage	CFI	Luminous Flux	Lumin Eff.	Colour Temp.	Dimension	LED Type	IP Grade	Material
78 001	96W	100 - 265V	>80	7680	80lm/w	6500K/3000K	800 x 650 x 450 x 66	SMD	IP20	Glass + Die Cast Alum.

ASTRO SERIES

LED ceiling light

Product Description

High brightness SMD LED as light source, efficient, energy saving, long life span of up to 30000 hours and environment friendly.

Housing

Aluminium based plate equipped with and SMD LED to ensure heat dissipation.

Cover

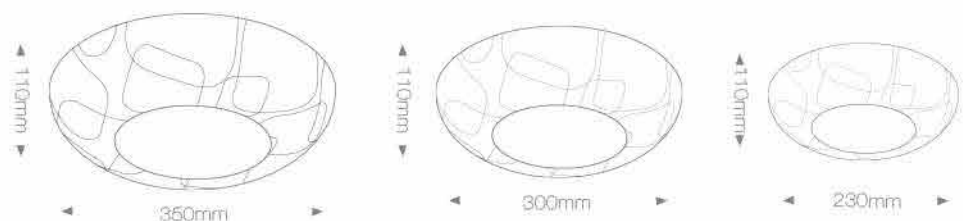
Reflective PC, bright opal finish provides uniform light distribution and glare protection.

Driver: Built in constant current driver.



Design Application

General home and commercial infrastructure, rooms, garage, balcony and other interior areas.



Product Range and Reference

Model	Power	Voltage	CRI	Luminous Flux	Lumin Eff.	Colour	Dimension	LED Qty.	IP Grade	Beam Angle	Material
78 221	12W	100 - 265V	>75	960	80lmW	6500K	230 x 110	24	IP20	250°	PC + Aluminium
78 222	15W	100 - 265V	>75	1200	80lmW	6500K	300 x 110	36	IP20	250°	PC + Aluminium
78 223	24W	100 - 265V	>75	1920	80lmW	6500K	350 x 110	54	IP20	250°	PC + Aluminium

NEPTUN SERIES

LED ceiling light

Product Description

High brightness SMD LED as light source, efficient, energy saving, long life span of up to 30000 hours and environment friendly.

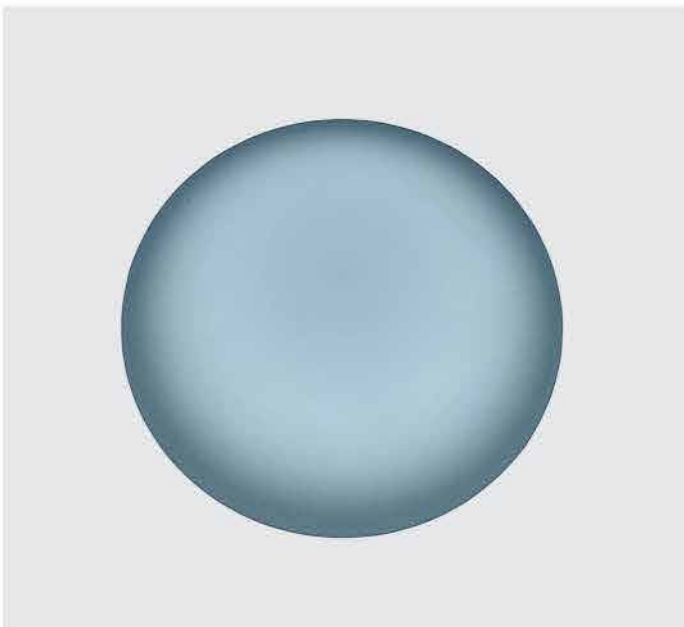
Housing

Aluminium based plate equipped with and SMD LED to ensure heat dissipation.

Cover

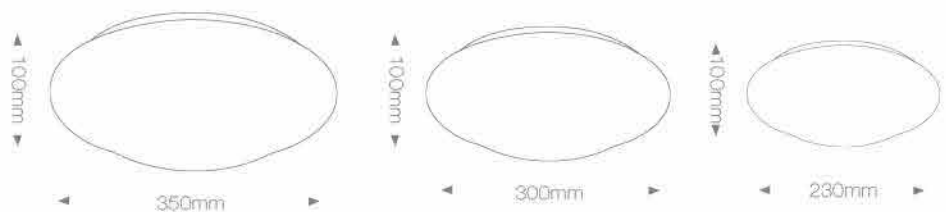
Reflective PC, bright opal finish provides uniform light distribution and glare protection.

Driver: Built in constant current driver.



Design Application

General home and commercial infrastructure, rooms, garage, balcony and other interior areas.



LED Driver	220V	230V	240V	50Hz	60Hz	IP20	I	F	CE
------------	------	------	------	------	------	------	---	---	----

Product Range and Reference

Model	Power	Voltage	CRI	Luminous Flux	Lumin Eff.	Colour	Dimension	LED Qty.	IP Grade	Beam Angle	Material
78 231	12W	100 - 265V	>75	960	80lm/w	6500K	230 x 100	24	IP20	250°	PC+ Aluminium
78 232	15W	100 - 265V	>75	1200	80lm/w	6500K	300 x 100	36	IP20	250°	PC+ Aluminium
78 233	24W	100 - 265V	>75	1920	80lm/w	6500K	350 x 100	54	IP20	250°	PC+ Aluminium

LIGHTING

Tour through a galaxy of our advanced
LIGHTING products.





Outdoor Wall Lighting

AEGHAN SERIES

Classic Architectural and Outdoor Wall Lighting

Product Description

Housing

Made of high quality die casting aluminium with corrosion resistant polyester powder coat finish.

E27 Holder

Metal Grill

Glass Cover

Protection Rating IP54

Colour WHITE / BLACK

Installation Surface mounted



10036



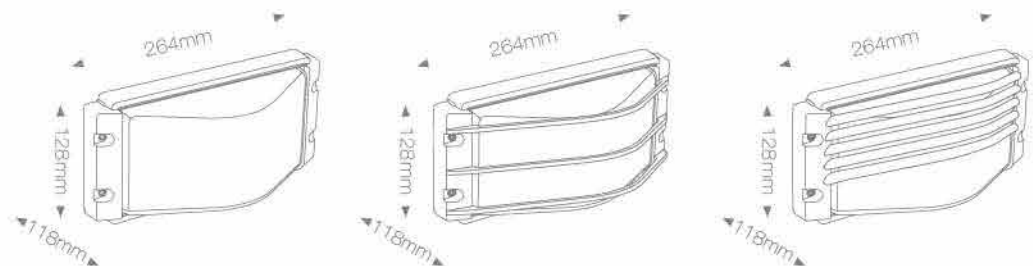
10038



10037

Design Application

Outdoor areas, garden areas, garage walls, building facade, parks, etc.



Product Range and Reference

Model	Power	Voltage	Dimension	Base	Source	IP Rating	Material	Weight	Diffuser
10 036	60W	220 - 240V	264 x 128 x 118	E27	CFL / LED	IP54	Die Cast Aluminium	1.2 Kg	Frosted Glass
10 037	60W	220 - 240V	264 x 128 x 118	E27	CFL / LED	IP54	Die Cast Aluminium	1.2 Kg	Frosted Glass
10 038	60W	220 - 240V	264 x 128 x 118	E27	CFL / LED	IP54	Die Cast Aluminium	1.2 Kg	Frosted Glass

ALCHEMIO SERIES

Decorative Architectural and Outdoor Wall Lighting

Product Description

Housing

Made of high quality die casting aluminium with corrosion resistant polyester powder coat finish.

E27 Holder

Protection Rating IP54

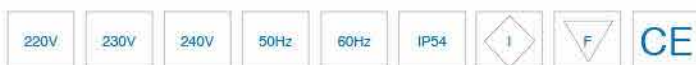
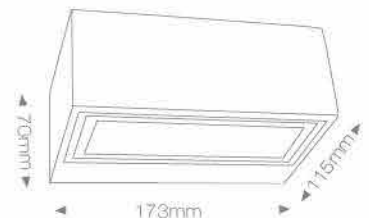
Colour BLACK

Installation Surface Mounted



Design Application

Outdoor areas, garden areas, garage walls, building facade, parks, etc.



Product Range and Reference

Model	Power	Voltage	Dimension	Base	Source	IP Rating	Material	Weight	Diffuser
10.007	60W	220 - 240V	173 x 115 x 70	E27	CFL / LED	IP54	Die Cast Aluminium	0.5	Tempered Glass

ARGOS SERIES

Architectural and Outdoor Wall Lighting

Product Description

Housing

Made of high quality die casting aluminium with corrosion resistant polyester powder coat finish.

E27 Holder

Metal Grill

Glass Cover

Protection Rating IP54

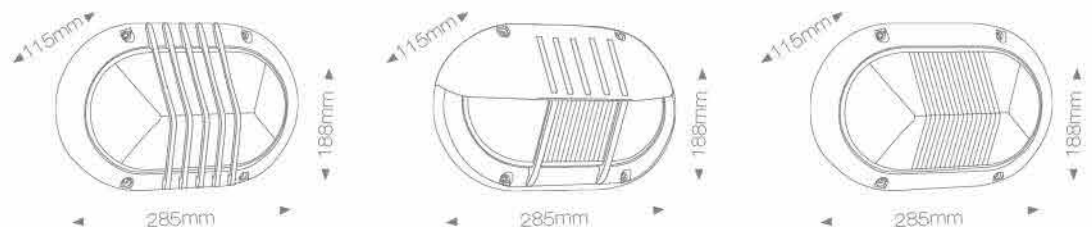
Colour GREY

Installation Surface mounted



Design Application

Outdoor areas, garden areas, garage walls, building facade, parks etc.



Product Range and Reference

Model	Power	Voltage	Dimension	Base	Source	IP Rating	Material	Weight	Diffuser
10 039	100W	220 - 240V	285 x 188 x 115	E27	CFL / LED	IP54	Die Cast Aluminium	1.6 Kg	Frosted Glass
10 040	100W	220 - 240V	285 x 188 x 115	E27	CFL / LED	IP54	Die Cast Aluminium	1.6 Kg	Frosted Glass
10 041	100W	220 - 240V	285 x 188 x 115	E27	CFL / LED	IP54	Die Cast Aluminium	1.6 Kg	Frosted Glass

ARTA SERIES

Decorative Architectural and Outdoor Wall Lighting

Product Description

Housing

Made of high quality die casting aluminium with corrosion resistant polyester powder coat finish.

E27 Holder

Protection Rating IP54

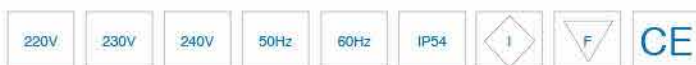
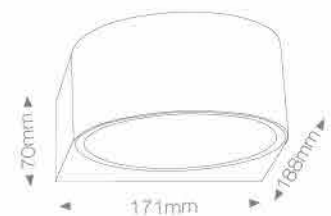
Colour BLACK

Installation Surface Mounted



Design Application

Outdoor areas, garden areas, garage walls, building facade, parks etc.



Product Range and Reference

Model	Power	Voltage	Dimension	Base	Source	IP Rating	Material	Weight	Diffuser
10 007	60W	220 - 240V	171 x 70 x 188	E27	CFL / LED	IP54	Die Cast Aluminium	1.5 Kg	Frosted Glass

ARTEMIS SERIES

Decorative Architectural and Outdoor Wall Lighting

Product Description

Housing

Made of high quality die casting aluminium with corrosion resistant polyester powder coat finish.

E27 Holder

Metal Grill

Glass Cover

Protection Rating IP54

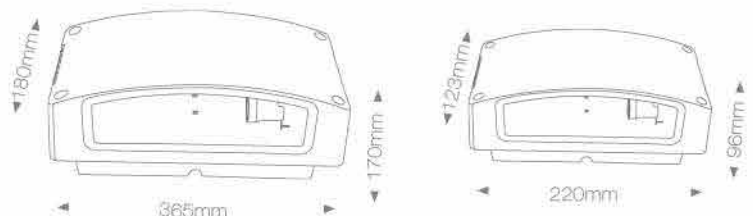
Colour BLACK

Installation Surface mounted



Design Application

Outdoor areas, garden areas, garage walls, building facade, parks, etc.



Product Range and Reference

Model	Power	Voltage	Dimension	Base	Source	IP Rating	Material	Weight	Diffuser
10 008	100W	220 - 240V	365 x 180 x 170	E27	CFL / LED	IP54	Die Cast Aluminium	3 Kg	Tempered Glass
10 009	100W	220 - 240V	220 x 90 x 123	E27	CFL / LED	IP54	Die Cast Aluminium	1.1 Kg	Tempered Glass

ATTICA SERIES

Decorative Architectural and Outdoor Wall Lighting

Product Description

Housing

Made of high quality die casting aluminium with corrosion resistant polyester powder coat finish.

E27 Holder

Protection Rating IP54

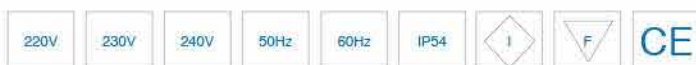
Colour ALUMINIUM GREY

Installation Surface Mounted



Design Application

Outdoor areas, garden areas, garage walls, building facade, parks etc..



Product Range and Reference

Model	Power	Voltage	Dimension	Base	Source	IP Rating	Material	Weight	Diffuser
10 012	60W	220 - 240V	249 x 120 x 130	E27	CFL / LED	IP54	Die Cast Aluminium	0.65 Kg	Opal PC
10 013	60W	220 - 240V	249 x 120 x 130	E27	CFL / LED	IP54	Die Cast Aluminium	0.70 Kg	Opal PC
10 014	60W	220 - 240V	249 x 120 x 130	E27	CFL / LED	IP54	Die Cast Aluminium	0.80 Kg	Opal PC

BASSUM SERIES BEELITZ SERIES

Decorative Architectural and Outdoor Wall Lighting

Product Description

Housing

Plastic fire proof body PC.

E27 Holder

Opal PC Cover

Protection Rating IP54

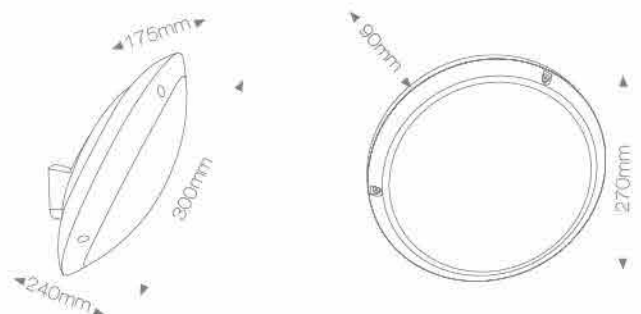
Colour WHITE / GREY

Installation Surface mounted



Design Application

Outdoor areas, garden areas, garage walls, building facade, parks, etc.



Product Range and Reference

Model	Power	Voltage	Dimension	Base	Source	IP Rating	Material	Weight	Diffuser
10 018	60W	220 - 240V	270 x 90	E27	CFL / LED	IP54	PP Body	0.6 Kg	Opal PC
10 019	60W	220 - 240V	330 x 240 x 175	E27	CFL / LED	IP54	PP Body	1.0 Kg	Opal PC

BERKA ROUND SERIES

Traditional Architectural and Outdoor Wall Lighting

Product Description

Housing

Made of high quality die casting aluminium with corrosion resistant polyester powder coat finish.

E27 Holder

Metal Grill

Glass Cover

Protection Rating IP54

Colour WHITE / BLACK

Installation Surface Mounted



Design Application

Outdoor areas, garden areas, garage walls, building facade, parks, etc.



Product Range and Reference

Model	Power	Voltage	Dimension	Base	Source	IP Rating	Material	Weight	Diffuser
10 030	100W	220 - 240V	240 x 128	E27	CFL / LED	IP54	Die Cast Aluminium	1.5 Kg	Frosted Glass
10 031	100W	220 - 240V	240 x 128	E27	CFL / LED	IP54	Die Cast Aluminium	1.4 Kg	Frosted Glass
10 032	100W	220 - 240V	240 x 128	E27	CFL / LED	IP54	Die Cast Aluminium	1.4 Kg	Frosted Glass
10 033	60W	220 - 240V	192 x 107	E27	CFL / LED	IP54	Die Cast Aluminium	0.75 Kg	Frosted Glass
10 034	60W	220 - 240V	192 x 107	E27	CFL / LED	IP54	Die Cast Aluminium	0.70 Kg	Frosted Glass
10 035	60W	220 - 240V	192 x 107	E27	CFL / LED	IP54	Die Cast Aluminium	0.70 Kg	Frosted Glass

BERKA OVAL SERIES

Traditional Architectural and Outdoor Wall Lighting

Product Description

Housing

Made of high quality die casting aluminium with corrosion resistant polyester powder coat finish.

E27 Holder

Metal Grill

Glass Cover

Protection Rating IP54

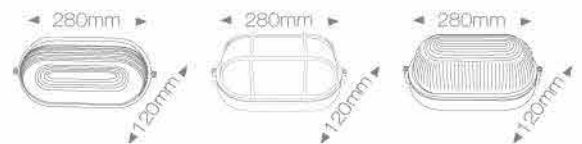
Colour WHITE / BLACK

Installation Surface mounted



Design Application

Outdoor areas, garden areas, garage walls, building facade, parks, etc.



Product Range and Reference

Model	Power	Voltage	Dimension	Base	Source	IP Rating	Material	Weight	Diffuser
10 024	100W	220 - 240V	280 x 160 x 120	E27	CFL / LED	IP54	Die Cast Aluminium	1.5 Kg	Frosted Glass
10 025	100W	220 - 240V	280 x 160 x 120	E27	CFL / LED	IP54	Die Cast Aluminium	1.4 Kg	Frosted Glass
10 026	100W	220 - 240V	280 x 160 x 120	E27	CFL / LED	IP54	Die Cast Aluminium	1.4 Kg	Frosted Glass
10 027	60W	220 - 240V	210 x 107 x 100	E27	CFL / LED	IP54	Die Cast Aluminium	0.75 Kg	Frosted Glass
10 028	60W	220 - 240V	210 x 107 x 100	E27	CFL / LED	IP54	Die Cast Aluminium	0.70 Kg	Frosted Glass
10 029	60W	220 - 240V	210 x 107 x 100	E27	CFL / LED	IP54	Die Cast Aluminium	0.70 Kg	Frosted Glass

EGALEU SERIES

Architectural and Outdoor Wall Lighting

Product Description

Housing

Made of high quality die casting aluminium with corrosion resistant polyester powder coat finish.

E27 Holder

Metal Grill

Protection Rating IP54

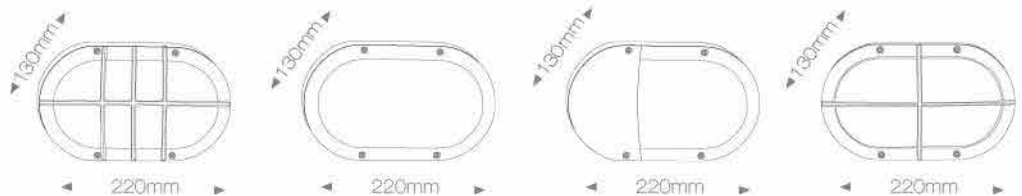
Colour BLACK

Installation Surface Mounted



Design Application

Outdoor areas, garden areas, garage walls, building facade, parks, etc.



Product Range and Reference

Model	Power	Voltage	Dimension	Base	Source	IP Rating	Material	Weight	Diffuser
10 044	60W	220 - 240V	220 x 130 x 65	E27	CFL / LED	IP54	Die Cast Aluminium	1.0 Kg	Opal PC
10 045	60W	220 - 240V	220 x 130 x 65	E27	CFL / LED	IP54	Die Cast Aluminium	1.1 Kg	Opal PC
10 046	60W	220 - 240V	220 x 130 x 65	E27	CFL / LED	IP54	Die Cast Aluminium	1.2 Kg	Opal PC
10 047	60W	220 - 240V	220 x 130 x 65	E27	CFL / LED	IP54	Die Cast Aluminium	1.1 Kg	Opal PC

GALATSI SERIES

Decorative Architectural and Outdoor Wall Lighting

Product Description

Housing

Made of high quality die casting aluminium with corrosion resistant polyester powder coat finish.

E27 Holder

Metal Grill

Protection Rating IP54

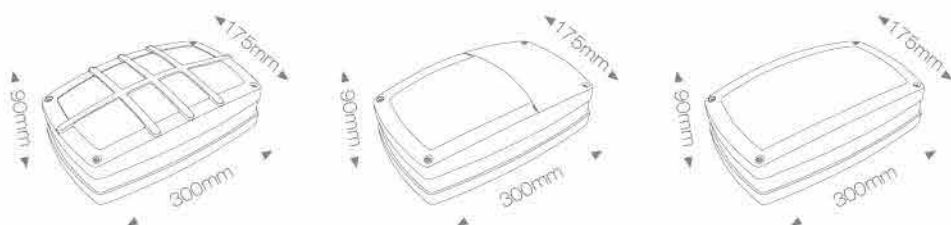
Colour BLACK

Installation Surface mounted



Design Application

Outdoor areas, garden areas, garage walls, building facade, parks, etc.



Product Range and Reference

Model	Power	Voltage	Dimension	Base	Source	IP Rating	Material	Weight	Diffuser
10 052	100W	220 - 240V	300 x 175 x 90	2 x E27	CFL / LED	IP54	Die Cast Aluminium	1.0 Kg	Opal PC
10 053	100W	220 - 240V	300 x 175 x 90	2 x E27	CFL / LED	IP54	Die Cast Aluminium	1.2 Kg	Opal PC
10 054	100W	220 - 240V	300 x 175 x 90	2 x E27	CFL / LED	IP54	Die Cast Aluminium	1.3 Kg	Opal PC

GAZZICHI SERIES

Modern Architectural and Outdoor Wall Lighting

Product Description

Housing

Made of high quality die casting aluminium with corrosion resistant polyester powder coat finish.

E27 Holder

Metal Grill

Opal PC Cover

Protection Rating IP54

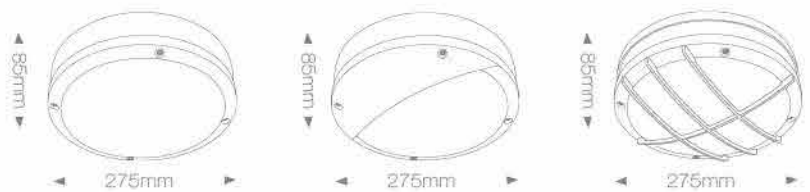
Colour BLACK

Installation Surface Mounted



Design Application

Outdoor areas, garden areas, garage walls, building facade, parks, etc.



Product Range and Reference

Model	Power	Voltage	Dimension	Base	Source	IP Rating	Material	Weight	Diffuser
10 057	60W	220 - 240V	275 x 85	2 x E27	CFL / LED	IP54	Die Cast Aluminium	1.1 Kg	Opal PC
10 058	60W	220 - 240V	275 x 85	2 x E27	CFL / LED	IP54	Die Cast Aluminium	1.3 Kg	Opal PC
10 059	60W	220 - 240V	275 x 85	2 x E27	CFL / LED	IP54	Die Cast Aluminium	1.2 Kg	Opal PC

GIANNITSA SERIES

Modern Architectural and Outdoor Wall Lighting

Product Description

Housing

Made of high quality die casting aluminium with corrosion resistant polyester powder coat finish.

E27 Holder

Metal Grill

Protection Rating IP54

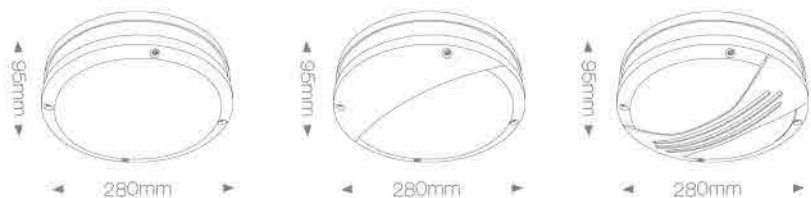
Colour BLACK

Installation Surface Mounted



Design Application

Outdoor areas, garden areas, garage walls, building facade, parks, etc.



Product Range and Reference

Model	Power	Voltage	Dimension	Base	Source	IP Rating	Material	Weight	Diffuser
10 060	100W	220 - 240V	280 x 95	2 x E27	CFL / LED	IP54	Die Cast Aluminium	1.3 Kg	Opal PC
10 061	100W	220 - 240V	280 x 95	2 x E27	CFL / LED	IP54	Die Cast Aluminium	1.4 Kg	Opal PC
10 062	100W	220 - 240V	280 x 95	2 x E27	CFL / LED	IP54	Die Cast Aluminium	1.4 Kg	Opal PC

HALVER SERIES

Architectural and Outdoor Wall Recessed Lighting

Product Description

Housing

Made of high quality die casting aluminium with corrosion resistant polyester powder coat finish.

E27 Holder

Protection Rating IP54

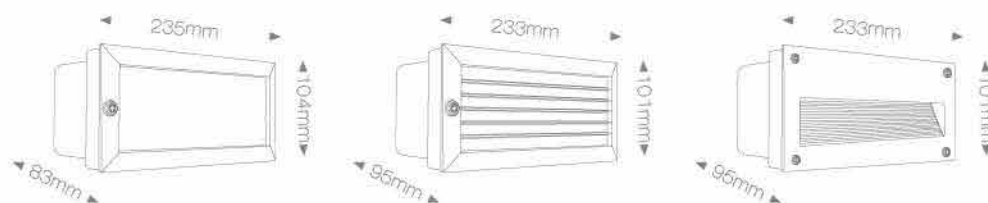
Colour BLACK / WHITE / GREY

Installation Recessed Mounted



Design Application

Outdoor areas, garden areas, garage walls, building facade, parks, etc..



Product Range and Reference

Model	Power	Voltage	Dimension	Base	Source	IP Rating	Material	Weight	Diffuser
10 064	60W	220 - 240V	235 x 104 x 83	E27	CFL / LED	IP54	Die Cast Aluminium	0.5 Kg	Frosted Glass
10 065	60W	220 - 240V	233 x 101 x 95	E27	CFL / LED	IP54	Die Cast Aluminium	0.6 Kg	Frosted Glass
10 066	60W	220 - 240V	233 x 101 x 95	E27	CFL / LED	IP54	Die Cast Aluminium	0.6 Kg	Frosted Glass

KOS SERIES

Decorative Architectural and Outdoor Wall Lighting

Product Description

Housing

Made of high quality die casting aluminium with corrosion resistant polyester powder coat finish.

G9 Holder Option for E27

Clear Tempered Glass

Protection Rating IP54

Colour BLACK

Installation Surface Mounted



Design Application

Outdoor areas, garden areas, garage walls, building facade, parks, etc.



Product Range and Reference

Model	Power	Voltage	Dimension	Base	Source	IP Rating	Material	Weight	Diffuser
10 011	40W	220 - 240V	109 x 120 x 188	G9 / E27	Halo / LED	IP54	Die Cast Aluminium	1.0 Kg	Tempered Glass

LOMBARDI SERIES

Decorative Architectural and Outdoor Wall Lighting

Product Description

Housing

Made of high quality die casting aluminium with corrosion resistant polyester powder coat finish.

GU10 Holder

Clear tempered glass

Protection Rating IP54

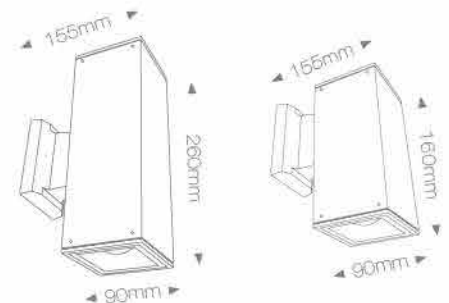
Colour GREY

Installation Surface Mounted



Design Application

Outdoor areas, garden areas, garage walls, building facade, parks, etc.



Product Range and Reference

Model	Power	Voltage	Dimension	Base	Source	IP Rating	Material	Weight	Diffuser
10 004	100W	220 - 240V	260 x 90 x 155	GU10	Halo / LED	IP54	Die Cast Aluminium	1.3 Kg	Tempered Glass
10 005	100W	220 - 240V	160 x 90 x 155	GU10	Halo / LED	IP54	Die Cast Aluminium	1.0 Kg	Tempered Glass

MODICA SERIES

Decorative Architectural and Outdoor Wall Lighting

Product Description

Housing

Made of high quality die casting aluminium with corrosion resistant polyester powder coat finish.

Reflector

Aluminium Matte grill

Protection Rating IP54

Colour GREY

Installation Surface Mounted



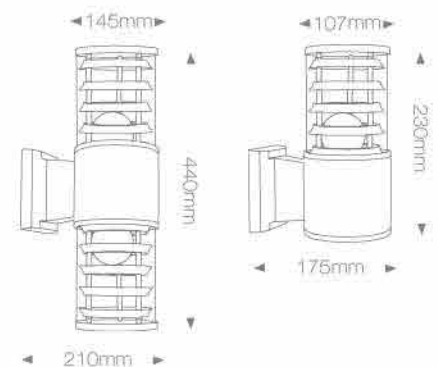
10.002



10.003

Design Application

Outdoor areas, garden areas, garage walls, building facade, parks, etc.



Product Range and Reference

Model	Power	Voltage	Dimension	Base	Source	IP Rating	Material	Weight	Diffuser
10.002	100W	220 - 240V	440 x 145 x 210	2 x E27	CFL / LED	IP54	Die Cast Aluminium	2.5 Kg	Aluminum Grill
10.003	60W	220 - 240V	230 x 107 x 175	E27	CFL / LED	IP54	Die Cast Aluminium	1.0 Kg	Aluminum Grill

ORION SERIES

Decorative Architectural and Outdoor Wall Lighting

Product Description

Housing

Made of high quality die casting aluminium with corrosion resistant polyester powder coat finish.

E27 Holder

Clear Tempered glass top and bottom

Protection Rating IP54

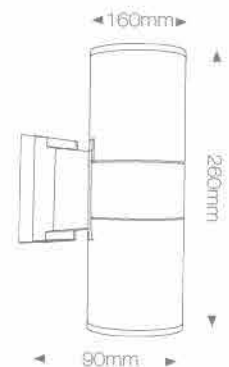
Colour BLACK / GREY

Installation Surface Mounted



Design Application

Outdoor areas, garden areas, garage walls, building facade, parks, etc.



Product Range and Reference

Model	Power	Voltage	Dimension	Base	Source	IP Rating	Material	Weight	Diffuser
10 017	100W	220 - 240V	260 x 160 x 90	2 x E27	CFL / LED	IP54	Die Cast Aluminium	1.2 Kg	Tempered glass

PIRIO SERIES

4 Directions Architectural and Outdoor Wall Lighting

Product Description

Housing

Made of high quality die casting aluminium with corrosion resistant polyester powder coat finish.

G12 Holder option for E27

Optical glass

Protection Rating IP54

Colour BLACK / GREY

Installation Surface Mounted



Design Application

Outdoor areas, garden areas, garage walls, building facade, parks, etc.



Product Range and Reference

Model	Power	Voltage	Dimension	Base	Source	IP Rating	Material	Weight	Diffuser
10 067	50W	220 - 240V	365 x 180	G12 / E27	Halo / LED	IP54	Die Cast Aluminium	0.0 Kg	Optical glass

PYRGOS SERIES

Decorative Architectural and Outdoor Wall Lighting

Product Description

Housing

Made of high quality die casting aluminium with corrosion resistant polyester powder coat finish.

E27 Holder

Clear Tempered glass top and bottom

Protection Rating IP54

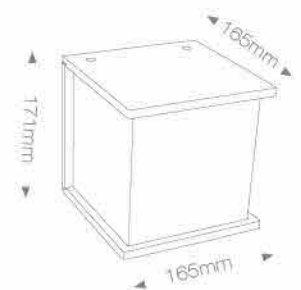
Colour BLACK / GREY

Installation Surface Mounted



Design Application

Outdoor areas, garden areas, garage walls, building facade, parks, etc.



Product Range and Reference

Model	Power	Voltage	Dimension	Base	Source	IP Rating	Material	Weight	Diffuser
10 006	60W	220 - 240V	165 x 165 x 171	E27	CFL / LED	IP54	Die Cast Aluminium	1.3 Kg	Opal PC

SPARTA SERIES

Decorative Architectural and Outdoor Wall Lighting

Product Description

Housing

Made of high quality die casting aluminium with corrosion resistant polyester powder coat finish.

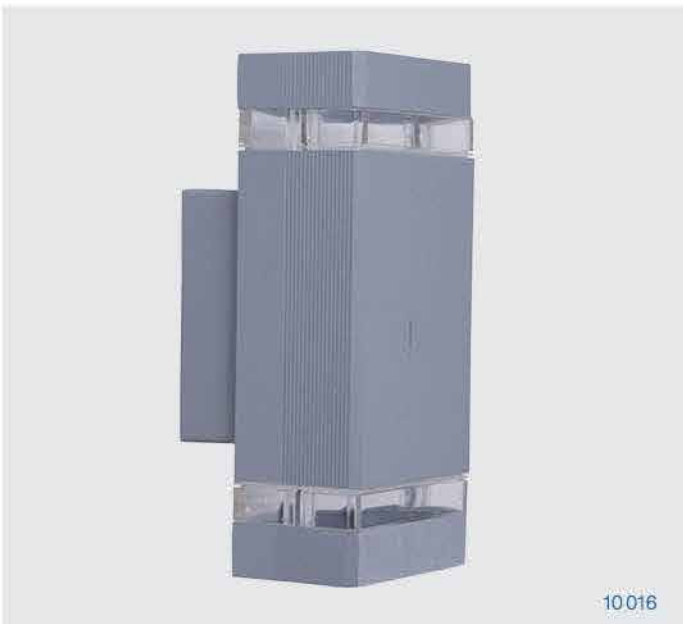
GU10 Holder

Glass on sides and covers

Protection Rating IP54

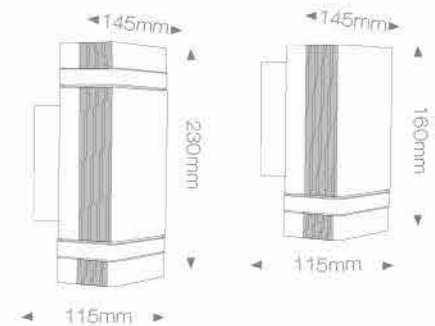
Colour BLACK

Installation Surface Mounted



Design Application

Outdoor areas, garden areas, garage walls, building facade, parks, etc.



Product Range and Reference

Model	Power	Voltage	Dimension	Base	Source	IP Rating	Material	Weight	Diffuser
10 015	50W	220 - 240V	160 x 100 x 115	GU10	Halo / LED	IP54	Die Cast Aluminium	0.75 Kg	Tempered glass
10 016	100W	220 - 240V	230 x 100 x 115	2 x GU10	Halo / LED	IP54	Die Cast Aluminium	1.5 Kg	Tempered glass

TAVROS SERIES

Modern Architectural and Outdoor Lighting

Product Description

Housing

Made of high quality die casting aluminium with corrosion resistant polyester powder coat finish.

E27 Holder

Metal Grill

Opal PC Cover

Protection Rating IP54

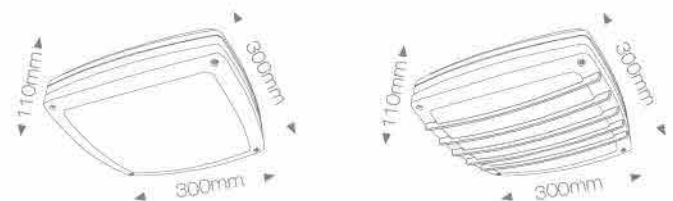
Colour BLACK

Installation Surface Mounted



Design Application

Outdoor areas, garden areas, garage walls, building facade, parks, etc..



Product Range and Reference

Model	Power	Voltage	Dimension	Base	Source	IP Rating	Material	Weight	Diffuser
10 065	120W	220 - 240V	300 x 300 x 110	2 x E27	CFL / LED	IP54	Die Cast Aluminium	2.0 Kg	Opal PC
10 066	120W	220 - 240V	300 x 300 x 110	2 x E27	CFL / LED	IP54	Die Cast Aluminium	2.1 Kg	Opal PC

THEBES SERIES

Modern Architectural and Outdoor Wall Lighting

Product Description

Housing

Made of high quality die casting aluminium with corrosion resistant polyester powder coat finish.

E27 Holder

Opal PC cover

Protection Rating IP54

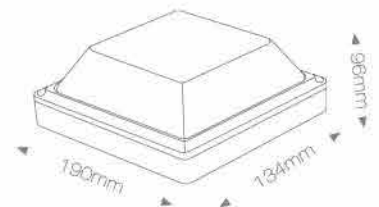
Colour BLACK

Installation Surface Mounted



Design Application

Outdoor areas, garden areas, garage walls, building facade, parks, etc.



Product Range and Reference

Model	Power	Voltage	Dimension	Base	Source	IP Rating	Material	Weight	Diffuser
10 063	60W	220 - 240V	190 x 134 x 96	E27	CFL / LED	IP54	Die Cast Aluminium	0.75 Kg	Opal PC

RHODES & VERIA SERIES

Architectural and Outdoor Wall Lighting

Product Description

Housing

Made of high quality die casting aluminium with corrosion resistant polyester powder coat finish.

E27 Holder

Metal Grill

Opal PC Cover

Protection Rating IP54

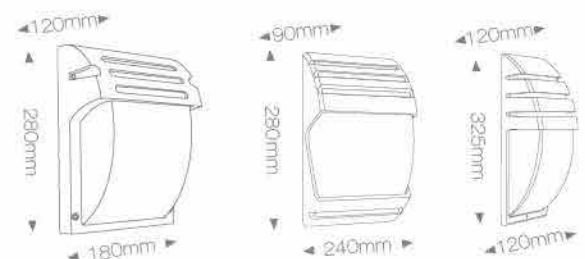
Colour BLACK / GREY

Installation Surface Mounted



Design Application

Outdoor areas, garden areas, garage walls, building facade, parks, etc.



Product Range and Reference

Model	Power	Voltage	Dimension	Base	Source	IP Rating	Material	Weight	Diffuser
10 048	60W	220 - 240V	225 x 180 x 95	E27	CFL / LED	IP54	Die Cast Aluminium	0.90 Kg	Opal PC
10 049	120W	220 - 240V	280 x 240 x 90	2 x E27	CFL / LED	IP54	Die Cast Aluminium	0.70 Kg	Opal PC
10 050	60W	220 - 240V	325 x 120 x 120	E27	CFL / LED	IP54	Die Cast Aluminium	1.0 Kg	Opal PC

VINLISSA SERIES

Decorative Architectural and Outdoor Wall Lighting

Product Description

Housing

Made of high quality die casting aluminium with corrosion resistant polyester powder coat finish.

Reflector

Opal PC high performance.

Protection Rating IP54

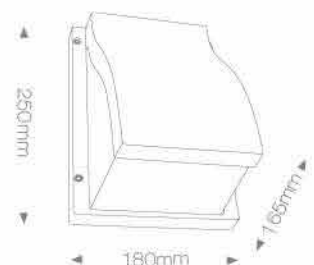
Colour BLACK

Installation Surface Mounted



Design Application

Outdoor areas, garden areas, garage walls, building facade, parks, etc.



Product Range and Reference

Model	Power	Voltage	Dimension	Base	Source	IP Rating	Material	Weight	Diffuser
10 001	60W	220 - 240V	250 x 180 x 165	E27	CFL / LED	IP54	Die Cast Aluminium	1.20 Kg	Opal PC



Flood Lights

STELLA SERIES

Flood Lighting

Product Description

Housing

Made of high quality die casting aluminium with corrosion resistant polyester powder coat finish.

Reflector

High specular anodised aluminium reflector provides high uniformity and optimum reflecting efficiency.

Sealing gasket

Heat resistant silicon gasket inserted around the slot of the housing ensuring high performance of protection against moisture and contaminat.

Clip and hinge

Four extruded aluminium clips and plastic hinges connecting between the glass and the housing ensuring the glass will not fall when opened, providing toolless quick and easy maintenance with highest security standards.

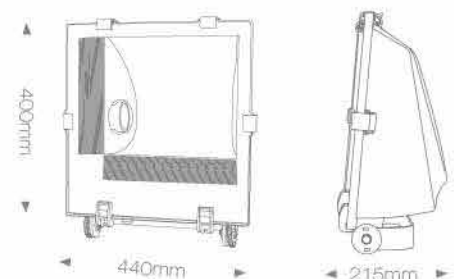


Design Application

Building facades, Docks, Sports area, Ware houses, Parking area, Landscapes, Sign boards, General outdoor lighting.

Installation

Adjustable bracket fixed by 2 bolts, bracket included.



OPTIONS

HID MH
 220V
 230V
 240V
 50Hz
 60Hz
 IP65
 I
 F
 CE
 HID MH
 HID HPS
 HID MV
 CFL

Product Range and Reference

Model	Power	Voltage	CRI	Lumin. Efficiency	Dimension	Source	Base	IP Grade	Material
11 202	250W	220 - 240V	>70	80 LM / W	400 x 440 x 215	MHT / HPS	E40	IP65	8.7
11 203	400W	220 - 240V	>70	80 LM / W	400 x 440 x 215	MHT / HPS	E40	IP65	9.2
11 220	-----	220 - 240V	>70	-----	400 x 440 x 215	CFL / LED	E40	IP65	6.5

STELLA SERIES 2

Flood Lighting

Product Description

Housing

Made of high quality die casting aluminium with corrosion resistant polyester powder coat finish.

Reflector

High brightness specular anodised aluminium reflector provides high uniformity and optimum reflecting efficiency.

Sealing gasket

Heat resistant silicon gasket inserted around the slot of the housing ensuring high performance of protection against moisture and contaminat.

Clip and hinge

Four extruded aluminium clips and plastic hinges connecting between the glass and the housing ensuring the glass will not fall when opened, providing toolless quick and easy maintenance with highest security standards.

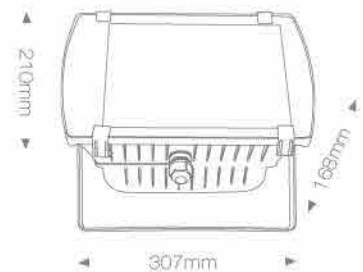


Installation

Adjustable bracket fixed by 2 bolts, bracket included.

Design Application

Building facades, Docks, Sports area, Ware houses, Parking area, Landscapes, Sign boards, General outdoor lighting..



OPTIONS



Product Range and Reference

Model	Power	Voltage	CRI	Lumin. Efficiency	Dimension	Source	Base	IP Grade	Material	Weight
11 221	70W	220 - 240V	>70	80 LM / W	307 x 210 x 168	Metal halid	Rx7S	IP65	Die cast aluminium + Glass	5.4
11 201	150W	220 - 240V	>70	80 LM / W	307 x 210 x 168	Metal halid	Rx7S	IP65	Die cast aluminium + Glass	5.4

OMEGA SERIES

Flood Lighting

Product Description

Housing

Made of high quality die casting aluminium with corrosion resistant polyester powder coat finish.

Reflector

High brightness specular anodised aluminium reflector provides high uniformity and optimum reflecting efficiency.

Sealing gasket

Heat resistant silicon gasket inserted around the slot of the housing ensuring high performance of protection against moisture and contaminat.

Clip and hinge

Four extruded aluminium clips and plastic hinges connecting between the glass and the housing ensuring the glass will not fall when opened, providing toolless quick and easy maintenance with highest security standards.

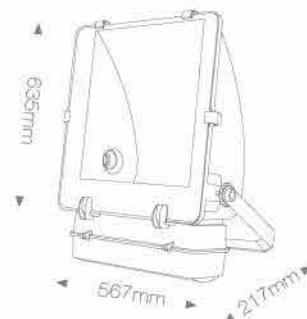


Installation

Adjustable bracket fixed by 2 bolts, bracket included.

Design Application

Building facades, docks, outdoor marketing signboards, parking lots, sports area, warehouses, gardens, pool areas, advertising banners, public areas, villas, retails, etc.



OPTIONS

HID MH	220V	230V	240V	50Hz	60Hz	IP65	I	F	CE	HID MH	HID HPS	HID MV	CFL
--------	------	------	------	------	------	------	---	---	----	--------	---------	--------	-----

Product Range and Reference

Model	Power	Voltage	CRI	Lumin. Efficiency	Dimension	Source	Base	IP Grade	Material	Weight
11 222	1000W	220 - 240V	>70	80 LM / W	567 x 635 x 247	MHT / HPS	E40	IP65	Die cast aluminium + Glass	26.30 Kg
11 223	2000W	220 - 240V	>70	80 LM / W	567 x 635 x 247	MHT / HPS	E40	IP65	Die cast aluminium + Glass	32.20 Kg

STADIAMAX SERIES

Flood Lighting

Product Description

Housing

Made of high quality die casting aluminium with corrosion resistant polyester powder coat finish.

Reflector

High specular anodised aluminium reflector provides high uniformity and optimum reflecting efficiency.

Sealing gasket

Heat resistant silicon gasket inserted around the slot of the housing ensuring high performance of protection against moisture and contaminat.

Clip and hinge

Four extruded aluminium clips and plastic hinges connecting between the glass and the housing ensuring the glass will not fall when opened, providing toolless quick and easy maintenance with highest security standards.



11 220



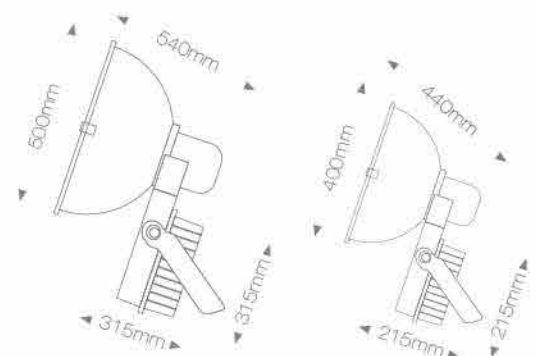
11 202

Design Application

Building facades, Docks, Sports area, Ware houses, Parking area, Landscapes, Sign boards, General outdoor lighting.

Installation

Adjustable bracket fixed by 2 bolts, bracket included.



OPTIONS

HID	220V	230V	240V	50Hz	60Hz	IP65	I	F	CE	HID MH	HID HPS	HID MV	CFL
-----	------	------	------	------	------	------	---	---	----	--------	---------	--------	-----

Product Range and Reference

Model	Power	Voltage	CRI	Lumin. Efficiency	Dimension	Source	Base	IP Grade	Material
11 202	250W	220 - 240V	>70	80 LM / W	400 x 440 x 215	MHT / HPS	E40	IP65	Die cast alum.
11 203	400W	220 - 240V	>70	80 LM / W	400 x 440 x 215	MHT / HPS	E40	IP65	Die cast alum.
11 220	1000W	220 - 240V	>70	80 LM / W	500 x 540 x 315	MHT / HPS	E40	IP65	Die cast alum.



Street Lights

T5 MASTERLITE

Street Lights Series

Product Description

Housing

Made of high quality die casting aluminium with corrosion resistant polyester powder coat finish.

Reflector

High Specular anodised aluminium reflector fixed to the housing provides accurate light distribution and optimum reflecting efficiency with acrylic cover.

Photometric Curve Adjustment:

Lamp holder can be adjusted up or down, forward or backward to provide desired photometric curve and desired light efficiency.

Sealing Gasket

Heat resistant silicon gasket inserted around the slot of the housing ensuring high performance of protection against moisture and contaminat.



Design Application

Urban road, secondary roads, communities, highways, railways, warehouses, gates communities, ports, industrial areas and general outdoor areas.

Clip and Hinge

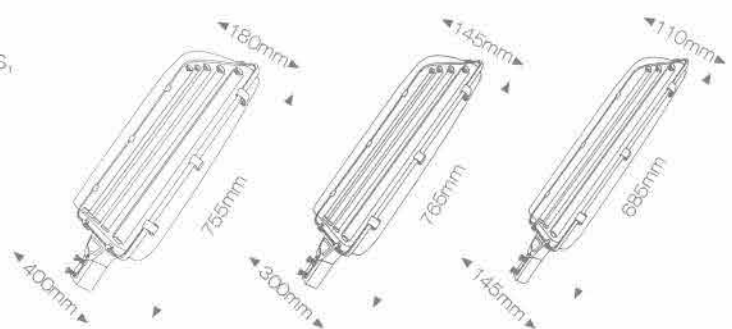
MS electroplates clips.

Ballast

Wired with energy efficient electronic ballast.

Installation:

Integrated with mounting screws for quick, safe and easy tightening on Ø48mm to Ø60mm round pole or bracket, horizontal or vertical installation with adjustable angle.



Product Range and Reference

Model	Power	Voltage	CRI	Lumin. Efficiency	Dimension	Source	IP Grade	Material	Bracket DIA	Weight
11 505	2 x 24W	220 - 240V	>65	75 LM / W	685 x 145 x 110	T5 Four	IP65	Die cast alum. & acrylic	49Ø Adjustable	4.0 Kg
11 506	4 x 24W	220 - 240V	>65	75 LM / W	765 x 300 x 145	T5 Four	IP65	Die cast alum. & acrylic	49Ø Adjustable	4.60 Kg
11 507	5 x 24W	220 - 240V	>65	75 LM / W	755 x 400 x 180	T5 Four	IP65	Die cast alum. & acrylic	48Ø Adjustable	5.10 Kg

ILLUZE SERIES

Street Lighting

Product Description

Housing

Made of high quality die casting aluminium with corrosion resistant polyester powder coat finish.

Reflector

High Specular anodised aluminium reflector fixed to the housing provides accurate light distribution and optimum reflecting efficiency.

Photometric Curve Adjustment:

Lamp holder can be adjusted up or down, forward or backward to provide desired photometric curve and desired light efficiency.

Sealing Gasket

Heat resistant silicon gasket inserted around the slot of the housing ensuring high performance of protection against moisture and contaminat.



Clip and Hinge

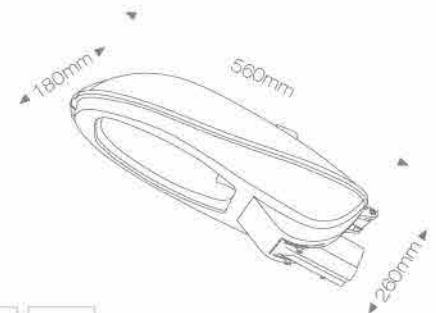
MS electroplates clips.

Ballast

Wired with energy efficient electronic ballast.

Installation:

Integrated with mounting screws for quick, safe and easy tightening on Ø48mm to Ø60mm round pole or bracket, horizontal or vertical installation with adjustable angle.



Design Application

Urban road, secondary roads, communities, highways, railways, warehouses, gates communities, ports, industrial areas and general outdoor areas.

OPTIONS

HID MH	220V	230V	240V	50Hz	60Hz	IP65	I	F	CE	HID MH	HID HPS	HID MV	CFL
--------	------	------	------	------	------	------	---	---	----	--------	---------	--------	-----

Product Range and Reference

Model	Power	Voltage	CRI	Lumin. Efficiency	Dimension	Source	Base	IP-Grade	Material	Bracket DIA	Weight
11 501	70W	220 - 240V	>70	80 LM / W	560 x 260 x 180	Sodium vapour or Metal halid	E27	IP65	Die cast aluminium	48Ø Adjustable	5.10 Kg
11 502	150W	220 - 240V	>70	81 LM / W	560 x 260 x 180	Sodium vapour or Metal halid	E40	IP65	Die cast aluminium	48Ø Adjustable	5.50 Kg
11 511	125W	220 - 240V	>70	82 LM / W	560 x 260 x 180	Mercury vapour	E27	IP65	Die cast aluminium	48Ø Adjustable	5.10 Kg
11 512	Any	220 - 240V	>70	-----	560 x 260 x 180	CFL or LED	E27/ E40	IP65	Die cast aluminium	48Ø Adjustable	-----

MAXISTRADA SERIES

Product Description

Housing

Made of high quality die casting aluminium with corrosion resistant polyester powder coat finish.

Reflector

High Specular anodised aluminium reflector fixed to the housing provides accurate light distribution and optimum reflecting efficiency.

Photometric Curve Adjustment:

Lamp holder can be adjusted up or down, forward or backward to provide desired photometric curve and desired light efficiency.

Sealing Gasket

Heat resistant silicon gasket inserted around the slot of the housing ensuring high performance of protection against moisture and contaminat.



Clip and Hinge

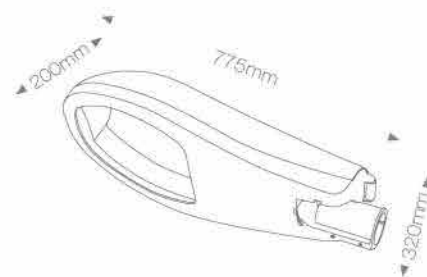
MS electroplates clips:

Ballast

Wired with energy efficient electronic ballast.

Installation:

Integrated with mounting screws for quick, safe and easy tightening on Ø48mm to Ø60mm round pole or bracket, horizontal or vertical installation with adjustable angle.



Design Application

Urban road, secondary roads, communities, highways, railways, warehouses, gates communities, ports, industrial areas and general outdoor areas.

OPTIONS:

HID MH	220V	230V	240V	50Hz	60Hz	IP65	I	F	CE	HID MH	HID HPS	HID MV	CFL
--------	------	------	------	------	------	------	---	---	----	--------	---------	--------	-----

Product Range and Reference

Model	Power	Voltage	CRI	Lumin. Efficiency	Dimension	Source	Base	IP-Grade	Material	Bracket DIA.	Weight
11 503	250W	220 - 240V	>70	80 LM / W	775 x 320 x 200	Sodium vapour or Metal halid	E40	IP65	Die cast aluminium	480 Adjustable	9.80 Kg
11 504	400W	220 - 240V	>70	80 LM / W	775 x 320 x 200	Sodium vapour or Metal halid	E40	IP65	Die cast aluminium	480 Adjustable	--- Kg
11 513	250W	220 - 240V	>65	70 LM / W	775 x 320 x 200	Mercury vapour	E40	IP65	Die cast aluminium	480 Adjustable	9.0 Kg
11 514	400W	220 - 240V	>65	70 LM / W	775 x 320 x 200	Mercury vapour	E40	IP65	Die cast aluminium	480 Adjustable	--- Kg
11 515	Any	220 - 240V	---	---	775 x 320 x 200	CFL or LED	E40	IP65	Die cast aluminium	480 Adjustable	--- Kg



Amenity Lighting

BOLZANO SERIES

Bollard Outdoor Luminair

Product Description

Housing

Steel made with corrosion resistant polyester coat finish, Easy relamping by unscrewing from side of top cover with crossel head screw driver.

Lens

UV resistant polycarbonate (pc) led provides superior light uniformity.

Protection rating IP65-Waterproof

Colour White / Black

Installation

Three standard bolt holes available in base plate for fixing on anchor underground.



Design Application

Business district, public areas, parks, residential, community, Schools, Hospitals, beach areas, etc.



Product Range and Reference

Model	Power	Voltage	Dimension	Base	Source	IP Rating	Material	Weight	Diffuser
10 001	100W	220 - 240V	800 x 165 x 170	E27	CFL / LED	IP65	Die Cast Aluminium	8.8 Kg	PC UV Lens

MODENA SERIES

Post Top Outdoor Luminaire

Product Description

Housing

Die casting aluminium housing features optimal rigidity, high durability and corrosion proofing.

Top Cover

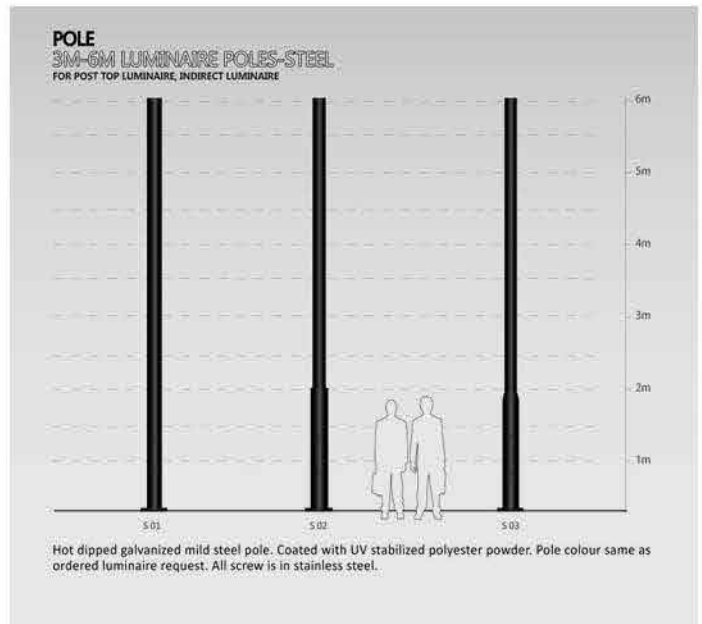
Aluminium sheet shaped top cover with white polyester powder coating on inner surface for higher illumination output.

Support

4 units of die casting aluminium support provide top plate with support and glass protection.

Lens

Polycarbonate (pc) lens with UV proof and shock proof. Corrosion resistant.



Reflector Grill

High purity anodised symmetric aluminium reflector.

Installation

Concrete fixed or buried. Traditional flange plate (250mm x 250mm) in the bottom of the pole with 4 standard bolt holes in. Hole distance in between: 200mm.

Pole

Hot dip galvanized pole with corrosion resistant polyester powder coat finish.

Pole Height 3 Meters

Protection Rating IP65

Colour Black with Grey



Design Application

Business district, public areas, parks, residential, community, Schools, Hospitals, beach areas, etc.

OPTIONS



Product Range and Reference

Model	Power	Voltage	Dimension	Base	Source	IP Rating	Material	Weight	Diffuser
11 002	70W	220 - 240V	750 x 390 x 76	E27	HPS / MH	IP65	Die Cast Aluminium	1.0 Kg	PC UV Lens
11 012	100W	220 - 240V	750 x 390 x 76	E27	CFL / LED	IP65	Die Cast Aluminium	1.0 Kg	PC UV Lens

ENEZA SERIES

Modern Architectural Post Top Outdoor Luminaire

Product Description

Housing

Die casting aluminium housing features optimal rigidity, high durability and corrosion proofing.

Support

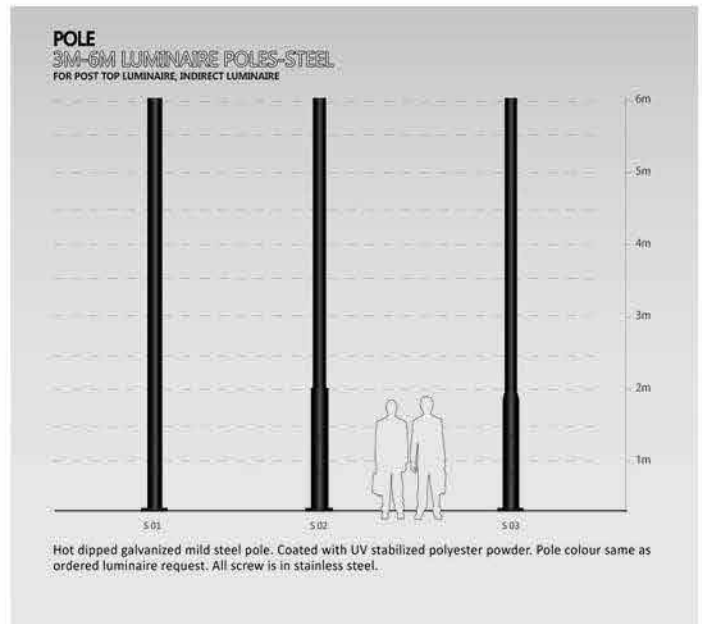
Three stainless steel supports connected to the top reflector plate and the bottom ballast and holder base, providing high stability and solid fixing.

Reflective Plate

Studded sphere stainless steel reflector fixed in the middle of the aluminium reflector providing optimal rigidity and durability. Wide range of illumination with low weight, Corrosion resistant.

Reflector

High purity anodised symmetric aluminium reflector.



Pole

Hot dip galvanized pole with corrosion resistant polyester powder coat finish.

Installation

Floor fixed or buried. Traditional flange plate (250mm x 250mm) in the bottom of the pole with 4 standard bolt holes in. Hole distance in between: 200mm.

Pole Height 3 Meters

Protection Rating IP65

Design Application

building surrounds and facades, shopping malls, green areas, trees, gardens, free stand signboard, villas, pool surrounds, hospitals, etc.

OPTIONS

HID MH	220V	230V	240V	50Hz	60Hz	IP65	I	F	CE	HID MH	HID HPS	HID MV	CFL
--------	------	------	------	------	------	------	---	---	----	--------	---------	--------	-----



Product Range and Reference

Model	Power	Voltage	CRI	Dimension	Light Source	IP Grade	Base	Weight	Material
11 003	70W	220 - 240V	>70	1070 x 800 x 100	MH / HPS	IP65	E27	0 Kg	Die cast aluminium + Glass

VERDURE SERIES

Post Top Outdoor Luminaire

Product Description

Die casting aluminium housing features optimal rigidity, high durability and corrosion proofing. Integrated four stainless steel screws for fixing with pole.

Diffuser

UV resistant polycarbonate diffuser provides uniform light distribution. Wide range of illumination, no glare and with low weight. Corrosion resistant.

Pole

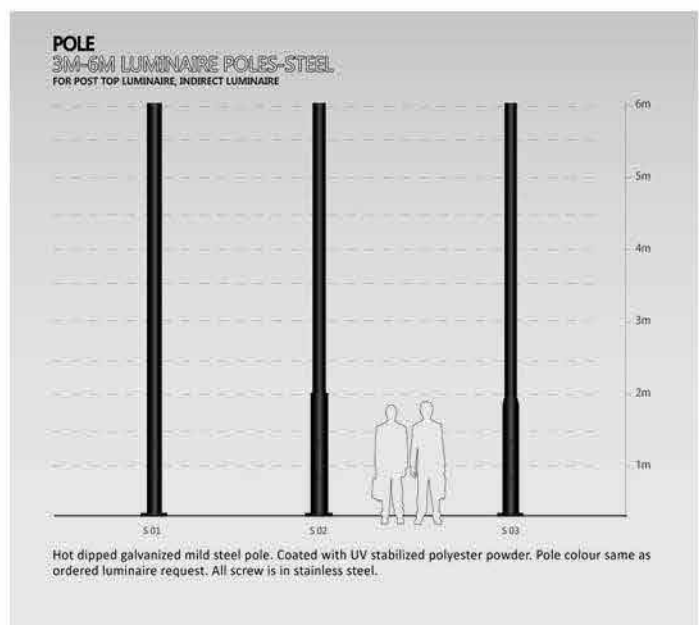
Hot dip galvanized pole with corrosion resistant polyester powder coat finish.

Reflector

High purity anodised symmetric aluminium reflector.

Pole Height 2.5 Meters

Holder Type E27



Protection Rating IP65

Colour Matt black

Installation

Floor fixed or buried. Traditional flange plate (250mm x 250mm) in the bottom of the pole with 4 standard bolt holes in. Hole distance in between: 200mm.

Design Application

building surrounds and facades, shopping malls, green areas, trees, gardens, free stand signboard, villas, pool surrounds, hospitals, etc.



OPTIONS



Product Range and Reference

Model	Power	Voltage	CRI	Dimension	Light Source	IP Grade	Base	Weight	Material
11 004	70W	220 - 240V	>70	380 x 330 x 60	HPS / MV / MH	IP65	E27	1.4 Kg	Die Cast Aluminium
11 014	100W	220 - 240V	>70	380 x 330 x 60	CFL / LED	IP65	E27	1.4 Kg	Die Cast Aluminium

MADRID SERIES

Post Top Outdoor Luminaire

Product Description

Housing

Die casting aluminium housing features optimal rigidity, high durability and corrosion proofing.

Top Cover

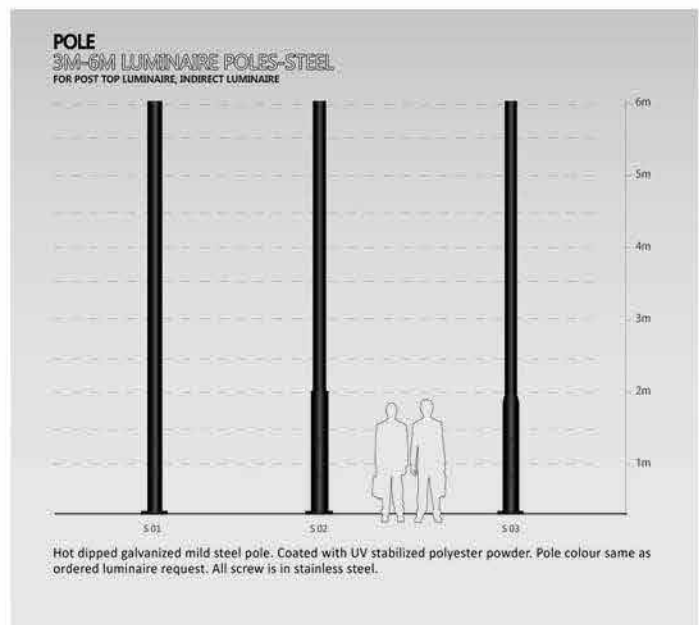
Aluminium sheet shaped top cover with white polyester powder coating on inner surface for higher illumination output.

Support

4 units of die casting aluminium support provide top plate with support and glass protection.

Lens

Polycarbonate (pc) lens with UV proof and shock proof, Corrosion resistant.



Reflector Grill

High purity anodised symmetric aluminium reflector.

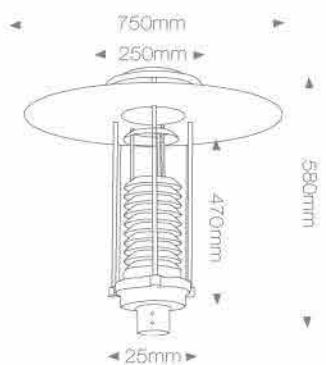
Installation

Concrete fixed or buried. Traditional flange plate (250mm x 250mm) in the bottom of the pole with 4 standard bolt holes in. Hole distance in between: 200mm.

Pole

Hot dip galvanized pole with corrosion resistant polyester powder coat finish.

Pole Height 3 Meters
Protection Rating IP65
Colour Black with Grey.



Design Application

Business district, public areas, parks, residential, community, Schools, Hospitals, beach areas, etc.

OPTIONS

HID MH	220V	230V	240V	50Hz	60Hz	IP65	I	F	CE	HID MH	HID HPS	HID MV	CFL
--------	------	------	------	------	------	------	---	---	----	--------	---------	--------	-----

Product Range and Reference

Model	Power	Voltage	Dimension	Base	Source	IP Rating	Material	Weight	Diffuser
11 002	70W	220 - 240V	750 x 580 x 25	E27	HPS / MH	IP65	Die Cast Aluminium	1.0 Kg	PC UV Lens
11 012	100W	220 - 240V	750 x 580 x 25	E27	CFL / LED	IP65	Die Cast Aluminium	1.0 Kg	PC UV Lens



Hazardous Area Lighting

CUBIX CANNOPY SERIES

Product Description

Corrosion proof die casting aluminium housing and door frame, shock resistant and high durability.

Lens

UV resistant polycarbonate diffuser, precisely designed with prismatic structure for uniform light distribution and glare free lighting.

Reflectors

Anodized high pure aluminium hydroformed reflector to provide accurate light distribution.

Colour Black



11 607



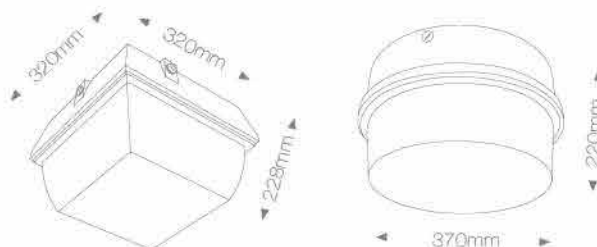
11 606

Design Application

Oil and gas stations, canopies, basements, indoor parking areas and warehouses.

Installation

Ceiling / Wall surface mounted



OPTIONS

HID MH	220V	230V	240V	50Hz	60Hz	IP65	I	F	CE	HID MH	HID HPS	HID MV	CFL
-----------	------	------	------	------	------	------	---	---	----	-----------	------------	-----------	-----

Product Range and Reference

Model	Power	Voltage	Dimension	Base	Source	IP Rating	Material	Weight	Diffuser
11 607	70W	220 - 240V	320 x 320 x 225	E27	HPS / MH	IP65	Die Cast Aluminium	0 Kg	Prismatic PC
11 606	70W	220 - 240V	370 x 220	E27	HPS / MH	IP65	Die Cast Aluminium	4.5 Kg	Prismatic PC

PROTEZZIO SERIES

Hazardous area luminaire

Product Description

Housing

Die casting aluminium housing features optimal rigidity, high durability and corrosion proofing.

Glass

Grill

Protection Rating IP65

Colour



Design Application

Oil and gas stations, canopies, basements, indoor parking areas and warehouses.



OPTIONS

Incandescent
 220V
 230V
 240V
 50Hz
 60Hz
 IP65
 I
 F
 CE
 LED
 Halo
 CFL

Product Range and Reference

Model	Power	Voltage	Dimension	Base	Source	IP Rating	Material	Weight	Diffuser
11 002	100W	220 - 240V	300 x 170	E27	HPS / MH	IP65	Die Cast Aluminium	1.0 Kg	PC UV Lens
11 012	200W	220 - 240V	400 x 230	E27	CFL / LED	IP65	Die Cast Aluminium	1.0 Kg	PC UV Lens

MAXI CANNOPY SERIES

Recessed cannopy luminair

Product Description

Housing

Corrosion proof die casting aluminium housing and door frame, shock resistant and high durability.

Lens

UV resistant polycarbonate diffuser, precisely designed with prismatic structure for uniform light distribution and glare free lighting.

Reflector

Anodized high pure aluminium hydroformed reflector to provide accurate light distribution.

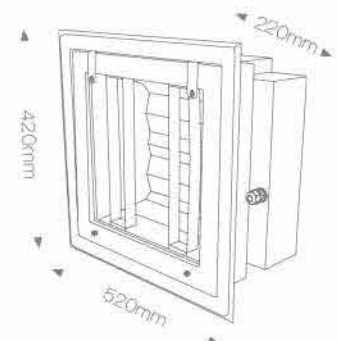
Installation

Recessed Mounted



Design Application

Oil and gas stations, canopies, basements, indoor parking areas and warehouses.



OPTIONS

HID MH	220V	230V	240V	50Hz	60Hz	IP65	I	F	CE	HID MH	HID HPS	HID MV	CFL
--------	------	------	------	------	------	------	---	---	----	--------	---------	--------	-----

Product Range and Reference

Model	Power	Voltage	Dimension	Base	Source	IP Grade	Material	Weight
11 602	250W	220 - 240V	520 x 526 x 220 420 x 420 x 220	E40	MH / HPS / MV	IP65	Die cast aluminium + Glass	1.0 Kg
11 603	400W	220 - 240V	520 x 526 x 220 420 x 420 x 220	E40	MH / HPS / MV	IP65	Die cast aluminium + Glass	1.0 Kg

MAXI CANNOPY SERIES 2

Surface canopy luminair

Product Description

Housing

Corrosion proof die casting aluminium housing and door frame, shock resistant and high durability,

Lens

UV resistant polycarbonate diffuser, precisely designed with prismatic structure for uniform light distribution and glare free lighting.

Reflector

Anodized high pure aluminium hydroformed reflector to provide accurate light distribution.

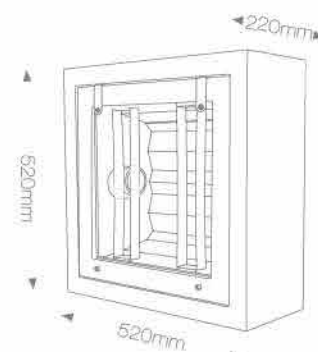
Installation

Surface Mounted



Design Application

Oil and gas stations, canopies, basements, indoor parking areas and warehouses.



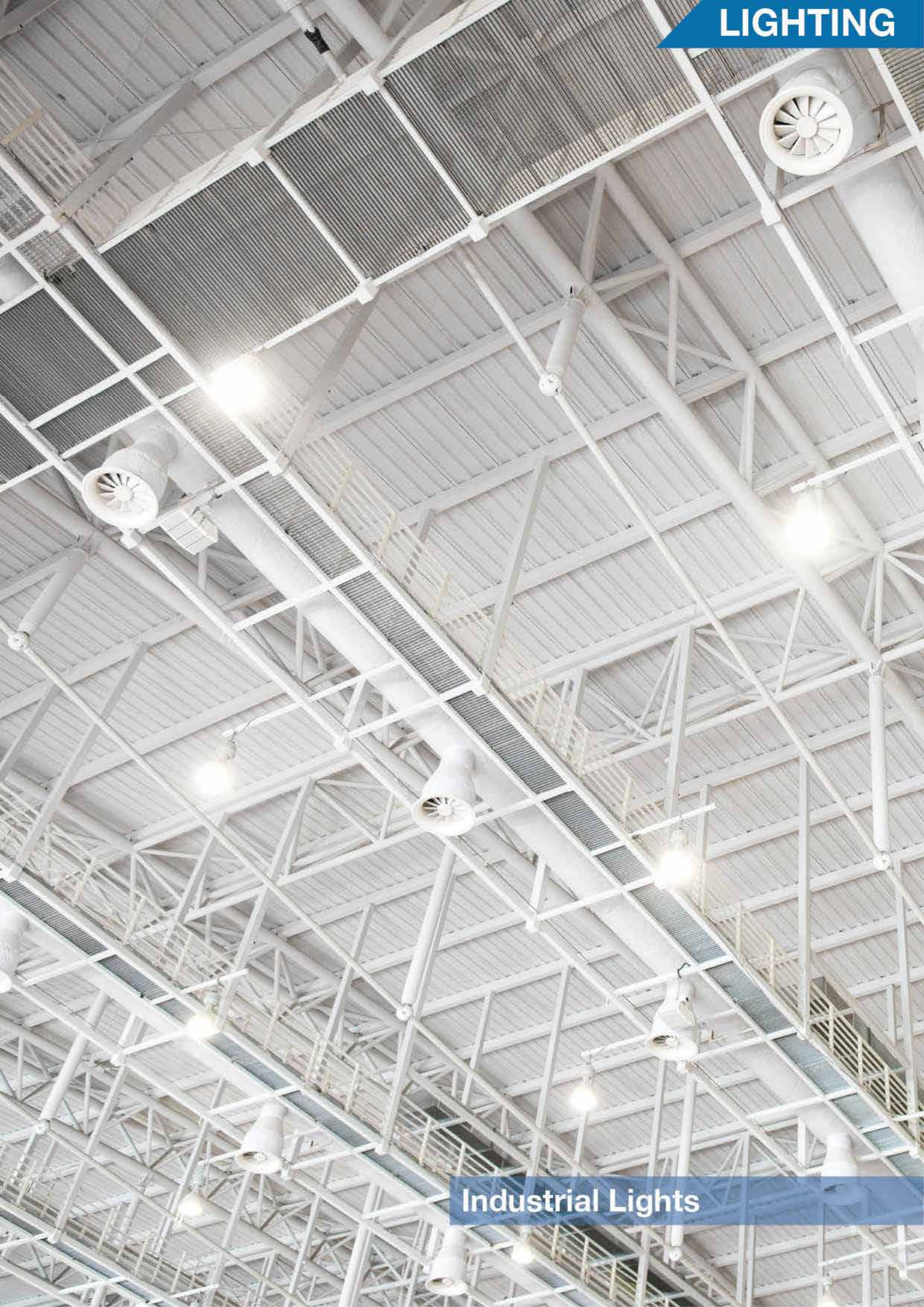
OPTIONS

HID MH	220V	230V	240V	50Hz	60Hz	IP65	I	F	CE	HID MH	HID HPS	HID MV	CFL
-----------	------	------	------	------	------	------	---	---	----	-----------	------------	-----------	-----

Product Range and Reference

Model	Power	Voltage	Dimension	Base	Source	IP Grade	Material	Weight
11 604	250W	220 - 240V	520 x 520 x 220	E40	MH / HPS / MV	IP65	Die cast aluminium + Glass	16.10 Kg
11 605	400W	220 - 240V	520 x 520 x 220	E40	MH / HPS / MV	IP65	Die cast aluminium + Glass	16.40 Kg

LIGHTING



Industrial Lights

ICARUS SERIES

Acrylic Highbay Lighting

Product Description

Gear Box Housing and Cover

Made of high quality die casting aluminium with corrosion resistant polyester powder coat finish. The cover is fixed to the housing optionally with four screws or with four clips.

Reflector

The precisely designed calabash shape fixing holes in top of reflector for connecting with gear box provides quick and easy mounting free from demounting screws.

Acrylic Reflector

High quality acrylic reflector clear finished surface provides soft light and wide uniform distribution.

Installation

Gear box integrated with sling ring provides easy connection to chain or to steel wire for suspended mounting.



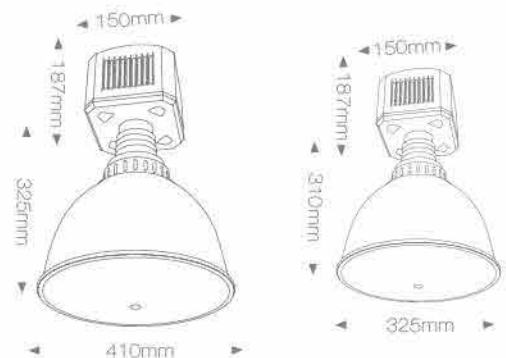
11 653



11 655

Design Application

Hospitals, Schools, Shops, Ware house, Industrial area, Gymnasiums etc.



OPTIONS

HID	220V	230V	240V	50Hz	60Hz	IP65	I	F	CE	HID MH	HID HPS	HID MV	CFL
-----	------	------	------	------	------	------	---	---	----	--------	---------	--------	-----

Product Range and Reference

Model	Power	Voltage	CRI	Lumin Efficiency	Dimension	Source	Base	IP Grade	Material	Weight
11 653	150W	220 - 240V	>70	80 LM/W	325 x 310 x 187	MV / HPS / MH	E40	IP44	Die cast aluminium + Acrylic	4.90 Kg
11 654	250W	220 - 240V	>70	80 LM/W	410 x 325 x 187	MV / HPS / MH	E40	IP44	Die cast aluminium + Acrylic	5.50 Kg
11 655	400W	220 - 240V	>70	80 LM/W	410 x 325 x 187	MV / HPS / MH	E40	IP44	Die cast aluminium + Acrylic	5.70 Kg
11 656	50-400W	220 - 240V	>70	-----	410 x 325 x 187	CFL / LED	E40	IP44	Die cast aluminium + Acrylic	4.90 Kg

MAGAZZINO SERIES

Highbay Lighting

Product Description

Gear Box Housing and Cover

Made of high quality die casting aluminium with corrosion resistant polyester powder coat finish. The cover is fixed to the housing optionally with four screws or with four clips.

Reflector

The precisely designed calabash shape fixing holes in top of reflector for connecting with gear box provides quick and easy mounting free from demounting screws.

High Quality Aluminium Reflector

Provides efficient light output.

Installation

Gear box integrated with sling ring provides easy connection to chain or to steel wire for suspended mounting.



Design Application

System is designed for high ceiling industrial spaces, retail distribution centres, storage areas, gymnasiums, show room, industrial areas etc.



OPTIONS

HID MH	220V	230V	240V	50Hz	60Hz	IP65	I	F	CE	HID MH	HID HPS	HID MV	CFL
--------	------	------	------	------	------	------	---	---	----	--------	---------	--------	-----

Product Range and Reference

Model	Power	Voltage	CRI	Lumin Efficiency	Dimension	Source	Base	IP Grade	Material	Weight
11 650	250W	220 - 240V	>70	80 LM / W	580 x 480 x 270	MV / HPS / MH	E40	IP44	Die cast aluminium + Alum	6.80 Kg
11 651	400W	220 - 240V	>70	80 LM / W	580 x 480 x 270	MV / HPS / MH	E40	IP44	Die cast aluminium + Alum	7.50 Kg
11 652	50-400W	220 - 240V	-----	-----	580 x 480 x 270	CFL / LED	E40	IP44	Die cast aluminium + Alum	5.80 Kg

MAGAZZINO SERIES 2

Highbay Lighting

Product Description

Gear Box Housing and Cover

Made of high quality die casting aluminium with corrosion resistant polyester powder coat finish. The cover is fixed to the housing optionally with four screws or with four clips.

Reflector

The precisely designed calabash shape fixing holes in top of reflector for connecting with gear box provides quick and easy mounting free from demounting screws.

High Quality Aluminium Reflector

Provides efficient light output.

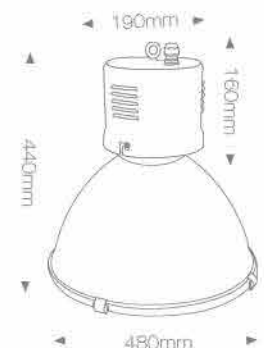
Installation

Gear box integrated with sling ring provides easy connection to chain or to steel wire for suspended mounting.



Design Application

System is designed for high ceiling industrial spaces, retail distribution centres, storage areas, gymnasiums, show room, industrial areas etc.



OPTIONS

HID	220V	230V	240V	50Hz	60Hz	IP65	I	F	CE	HID MH	HID HPS	HID MV	CFL
-----	------	------	------	------	------	------	---	---	----	--------	---------	--------	-----

Product Range and Reference

Model	Power	Voltage	CRI	Lumin Efficiency	Dimension	Source	Base	IP Grade	Material	Weight
11 655	250W	220 - 240V	>70	80 LM / W	440 x 480 x 190	MV / HPS / MH	E40	IP44	Die cast aluminium + Alum	6.80 Kg
11 656	400W	220 - 240V	>70	80 LM / W	440 x 480 x 190	MV / HPS / MH	E40	IP44	Die cast aluminium + Alum	7.50 Kg
11 657	50-400W	220 - 240V	-----	-----	440 x 480 x 190	CFL / LED	E40	IP44	Die cast aluminium + Alum	5.80 Kg

LIGHTING

Commercial Lights

LUMIS SERIES

Modular recessed prismatic and acrylic luminair

Product Description

Housing

Body made of high quality cold rolled steel sheet through phosphating and electrostatic spraying.
T8 fluorescent tubes or T8 LED tubes.
Acrylic or prismatic cover;

Colour White

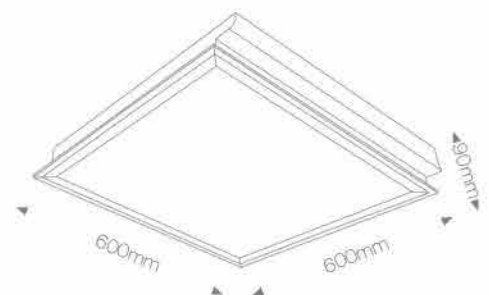
Installation

Recessed Mounted



Design Application

Office, Corridor, Halls, reception, meeting rooms, hospitals, schools, kitchens laboratories, super market, show rooms etc.



OPTIONS

Magnetic Ballast	Starter	220V	230V	240V	50Hz	60Hz	IP20	I	F	CE	Electronic Ballast	Emergency Kit	LED Tube
------------------	---------	------	------	------	------	------	------	---	---	----	--------------------	---------------	----------

Product Range and Reference

Model	No of Lamps	Watt	Voltage	Dimension	Source	IP Rating	Louvre	Material	Weight
12 251	4	18W	220 - 240V	600 x 600 x 90	T8 Fluorescent or LED	IP20	Acrylic	Steel + PC	4.16 Kg
12 271	4	18W	220 - 240V	600 x 600 x 90	T8 Fluorescent or LED	IP20	Prismatic	Steel + PC	4.10 Kg

QUARTZO SERIES

Modular Recessed Double & Single Parabolic Fixture

Product Description

Housing

Body made of high quality cold rolled steel sheet through phosphating and electrostatic spraying.
T8 fluorescent tubes or T8 LED tubes.
Recessed mounted fixture with highly efficient specular and semi-specular aluminium louvre reflector.

Colour White

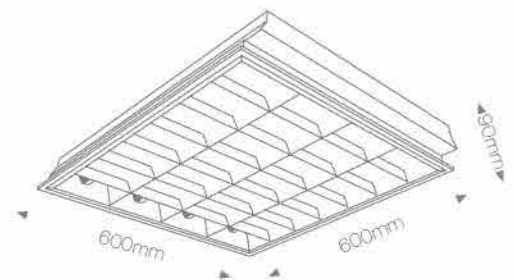
Installation

Recessed Mounted



Design Application

Office, Corridor, Halls, reception, meeting rooms, hospitals, schools, kitchens laboratories, super market, show rooms etc.



OPTIONS

Magnetic Ballast	Starter	220V	230V	240V	50Hz	60Hz	IP20	I	F	CE	Electronic Ballast	Emergency Kit	LED Tube
------------------	---------	------	------	------	------	------	------	---	---	----	--------------------	---------------	----------

Product Range and Reference

Model	No of Lamps	Watt	Voltage	Dimension	Source	IP Rating	Louvre	Material	Weight
12 201	4	18W	220 - 240V	600 x 600 x 90	T8 Fluorescent or LED	IP20	Double parabolic	Steel + Aluminium	4,15 Kg
12 202	4	18W	220 - 240V	600 x 600 x 90	T8 Fluorescent or LED	IP20	Single parabolic	Steel + Aluminium	4,10 Kg

STRAT SERIES

Modular Recessed Double Parabolic Fixture

Product Description

Housing

Body made of high quality cold rolled steel sheet through phosphating and electrostatic spraying.
T8 fluorescent tubes or T8 LED tubes.
Recessed mounted fixture with highly efficient specular and semi-specular aluminium louvre reflector.

Colour White

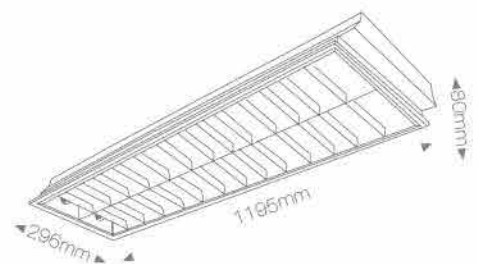
Installation

Recessed Mounted



Design Application

Office, Corridor, Halls, reception, meeting rooms, hospitals, schools, kitchens laboratories, super market, show rooms etc.



OPTIONS

Magnetic Ballast	Starter	220V	230V	240V	50Hz	60Hz	IP20	I	F	CE	Electronic Ballast	Emergency Kit	LED Tube
------------------	---------	------	------	------	------	------	------	---	---	----	--------------------	---------------	----------

Product Range and Reference

Model	No of Lamps	Watt	Voltage	Dimension	Source	IP Rating	Louvre	Material	Weight
12 206	2	36W	220 - 240V	1195 x 296 x 90	T8 Fluorescent or LED	IP20	Double parabolic	Steel + Aluminium	4.35 Kg

QUARTZO SERIES 2

Modular Recessed Double & Single Parabolic Fixture

Product Description

Housing

Body made of high quality cold rolled steel sheet through phosphating and electrostatic spraying.
T8 fluorescent tubes or T8 LED tubes.
Recessed mounted fixture with highly efficient specular and semi-specular aluminium louvre reflector.

Colour White

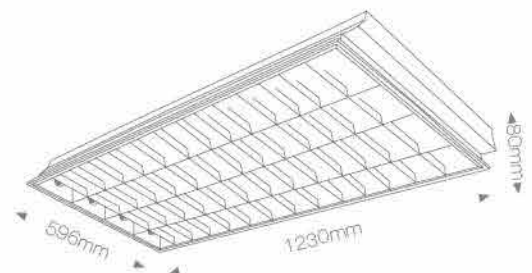
Installation

Recessed Mounted



Design Application

Office, Corridor, Halls, reception, meeting rooms, hospitals, schools, kitchens laboratories, super market, show rooms etc.



OPTIONS

Magnetic Ballast	Starter	220V	230V	240V	50Hz	60Hz	IP20	I	F	CE	Electronic Ballast	Emergency Kit	LED Tube
------------------	---------	------	------	------	------	------	------	---	---	----	--------------------	---------------	----------

Product Range and Reference

Model	No of Lamps	Watt	Voltage	Dimension	Source	IP Rating	Louvre	Material	Weight
12 205	3	36W	220 - 240V	1230 x 596 x 80	T8 Fluorescent or LED	IP20	Double parabolic	Steel + Aluminium	6.80 Kg
12 215	4	36W	220 - 240V	1230 x 596 x 80	T8 Fluorescent or LED	IP20	Double parabolic	Steel + Aluminium	7.50 Kg

VICI SERIES

Modular surface double parabolic fixture

Product Description

Housing

Body made of high quality cold rolled steel sheet through phosphating and electrostatic spraying.

T8 fluorescent tubes or T8 LED tubes.

Recessed mounted fixture with highly efficient specular and semi-specular aluminium louvre reflector.

Colour: White

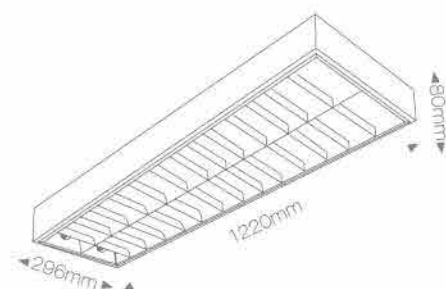
Installation

Surface Mounted or Suspended



Design Application

Office, Corridor, Halls, reception, meeting rooms, hospitals, schools, kitchens laboratories, super market, show rooms etc.



Product Range and Reference

Model	No of Lamps	Watt	Voltage	Dimension	Source	IP-Rating	Louvre	Material	Weight
12.204	2	36W	220 - 240V	1220 x 296 x 80	T8 Fluorescent or LED	IP20	Double parabolic	Steel + Aluminium	4.35 Kg

VICI SERIES 2

Modular surface double parabolic fixture

Product Description

Housing

Body made of high quality cold rolled steel sheet through phosphating and electrostatic spraying.
T8 fluorescent tubes or T8 LED tubes.
Recessed mounted fixture with highly efficient specular and semi-specular aluminium louvre reflector.

Colour White

Installation

Surface Mounted or Suspended



Design Application

Office, Corridor, Halls, reception, meeting rooms, hospitals, schools, kitchens laboratories, super market, show rooms etc.



OPTIONS

Magnetic Ballast	Starter	220V	230V	240V	50Hz	60Hz	IP20	I	F	CE	Electronic Ballast	Emergency Kit	LED Tube
------------------	---------	------	------	------	------	------	------	---	---	----	--------------------	---------------	----------

Product Range and Reference

Model	No of Lamps	Watt	Voltage	Dimension	Source	IP Rating	Louvre	Material	Weight
12 203	4	18W	220 - 240V	610 x 610 x 80	T8 Fluorescent or LED	IP20	Double parabolic	Steel + Aluminium	4.35 Kg

VICI SERIES 3

Modular surface double parabolic fixture

Product Description

Housing

Body made of high quality cold rolled steel sheet through phosphating and electrostatic spraying.
T8 fluorescent tubes or T8 LED tubes.
Recessed mounted fixture with highly efficient specular and semi-specular aluminium louvre reflector.

Colour White

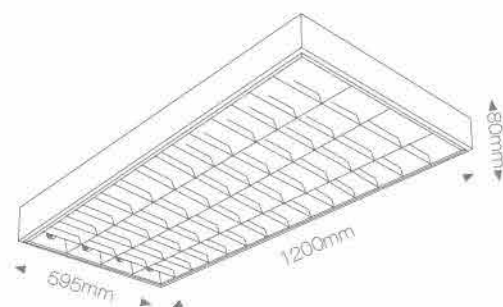
Installation

Surface Mounted or Suspended



Design Application

Office, Corridor, Halls, reception, meeting rooms, hospitals, schools, kitchens laboratories, super market, show rooms etc.



OPTIONS

Magnetic Ballast	Starter	220V	230V	240V	50Hz	60Hz	IP20	I	F	CE	Electronic Ballast	Emergency Kit	LED Tube
------------------	---------	------	------	------	------	------	------	---	---	----	--------------------	---------------	----------

Product Range and Reference

Model	No of Lamps	Watt	Voltage	Dimension	Source	IP Rating	Louvre	Material	Weight
12 209	4	36W	220 - 240V	1200 x 595 x 80	T8 Fluorescent or LED	IP20	Double parabolic	Steel + Aluminium	7.50 Kg

ARCO SERIES

Commercial suspended luminair

Product Description

Housing

Made of high quality aluminium through electro static spray coating.

PMMA diffuser provides soft and anti-glare light.

T5 energy saving

Hanging system includes:

PMMA diffuser

Colour: Aluminium Grey

Installation

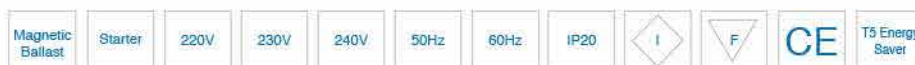
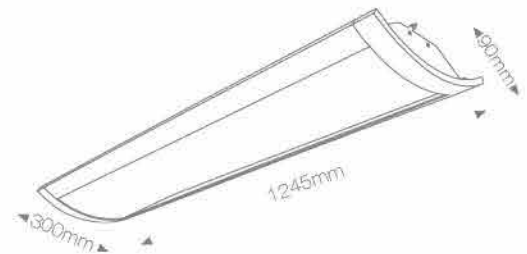
Suspended

Hanging system included



Design Application

Office, Corridor, Halls, reception, meeting rooms, hospitals, schools, kitchens laboratories, super market, show rooms etc.



Product Range and Reference

Model	No of Lamps	Watt	Voltage	Dimension	Source	IP Rating	Ballast	Material	Weight
12 003	2	28W	220 - 240V	1245 x 300 x 90	T5 Fluorescent	IP44	Electronic	Aluminium	5.8 Kg

SATURN SERIES

Commercial suspended lauminalr

Product Description

Housing

Made of high quality aluminium through electro static spray coating.

T5 energy saving

Colour: Aluminium Grey

Installation

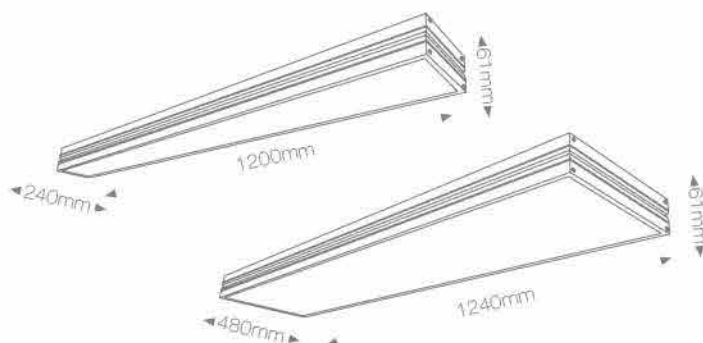
Suspended
Hanging system included



Design Application

Office, Corridor, Halls, reception, meeting room, hospitals, schools, kitchens, laboratories, retail outlets, supermarkets etc.

Can be connected seamlessly in "L" shape or "square" shape, achieving the desired design.



Product Range and Reference

Model	No. of Lamps	Power	Dimension	IP Rating	Source	Ballast	Voltage	Material	Weight
12 001	1	1x28W	1200 x 240 x 61	IP44	T5	Electronic	220 - 240V	Aluminum + PMMA	1.8 Kg
12 002	2	2x28W	1240 x 480 x 61	IP44	T5	Electronic	220 - 240V	Aluminum + PMMA	3 Kg

SPACIO SERIES

Commercial suspended luminair

Product Description

Housing

Made of high quality aluminium through electro static spray coating

Glass reflector, Anti-Glare

T5 energy saving

Light distribution is proportional 50:50 upper and lower light distribution.

Installation

Suspended

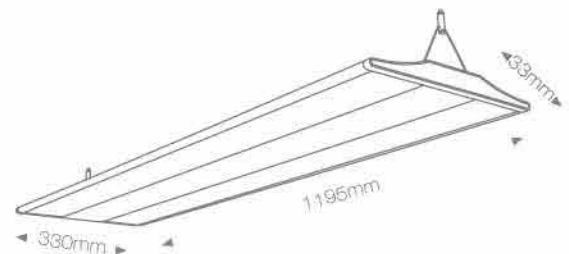
Hanging system included.



Design Application

Office, Corridor, Halls, reception, meeting room, hospitals, schools, kitchens, laboratories, retail outlets, supermarkets etc.

Can be connected seamlessly in "L" shape or "square" shape, achieving the desired design.



Electronic Ballast	Starter	220V	230V	240V	50Hz	60Hz	IP20	I	F	CE	T5 Energy Saver
--------------------	---------	------	------	------	------	------	------	---	---	----	-----------------

Product Range and Reference

Model	No. of Lamps	Power	Dimension	IP Rating	Source	Ballast	Voltage	Material	Weight
12 004	2	2x28W	1195 x 330 x 33	IP20	T5	Electronic	220 - 240V	Aluminium + Glass	6.5 Kg

SPECTRA SERIES

Commercial suspended luminair

Product Description

Housing

Made of high quality aluminium through electro static spray coating Anti-Glare

T5 energy saving

Light distribution is 90:10 upper and lower light distribution.

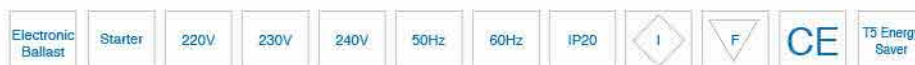
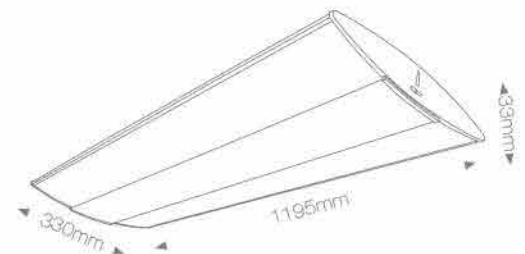
Installation

Suspended
Hanging system included.



Design Application

Office, Corridor, Halls, reception, meeting room, hospitals, schools, kitchens, laboratories, retail outlets, supermarkets etc.



Product Range and Reference

Model	No. of Lamps	Power	Dimension	IP-Rating	Source	Ballast	Voltage	Material	Weight
12 205	2	1x28W	1195 x 330 x 33	IP40	T5	Electronic	220 - 240V	Aluminium	7.3 Kg



STRETTE SERIES

T8 fluorescent / LED batten fixture

Product Description

Body is made of high quality cold rolled 0.5 steel sheet through phosphating and electrostatic sprayings for added strength.

Fully power coated in non discolouring white polyester. Polycarbonate non-discolouring lamp holder end caps with easily replaceable built-in lamp holders. Easy and convenient installation and maintenance.

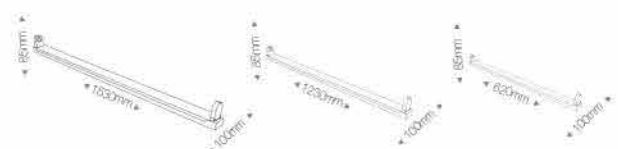
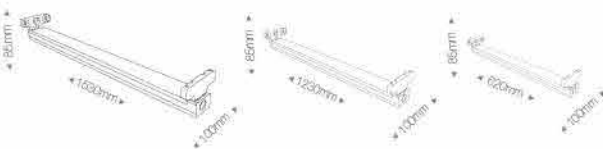
Installation

Surface or Suspended Mounted



Design Application

General home and commercial infrastructure, semi-industrial interiors, retail outlets, factories, warehouses, supermarkets, multi storey car parks and others.



OPTIONS

Magnetic Ballast	Starter	220V	230V	240V	50Hz	60Hz	IP20	I	F	CE	Electronic Ballast	LED	Angled Reflector
------------------	---------	------	------	------	------	------	------	---	---	----	--------------------	-----	------------------

Product Range and Reference

Model	No. of Lamps	Power	Voltage	Dimension	Source	IP Rating	Ballast	Material	Weight
12 507	1	18	220, 240V	620 x 100 x 85	T8 FLOUR / LED	IP20	Magnetic / Electronic	Steel	0.9 Kg
12 510	2	18	220, 240V	620 x 100 x 85	T8 FLOUR / LED	IP20	Magnetic / Electronic	Steel	0.95 Kg
12 508	1	36	220, 240V	1230 x 100 x 85	T8 FLOUR / LED	IP20	Magnetic / Electronic	Steel	1.5 Kg
12 511	2	36	220, 240V	1230 x 100 x 85	T8 FLOUR / LED	IP20	Magnetic / Electronic	Steel	1.8 Kg
12 509	1	58	220, 240V	1530 x 100 x 85	T8 FLOUR / LED	IP20	Magnetic / Electronic	Steel	1.8 Kg
12 512	2	58	220, 240V	1530 x 100 x 85	T8 FLOUR / LED	IP20	Magnetic / Electronic	Steel	2.8 Kg

MAXIWEATHER SERIES

T8 fluorescent / LED weatherproof fixture

Product Description

Housing

Self extinguishing Compression Moulded glass reinforced Polyester (GRP).

Diffuser

High quality clear prismatic UV stabilized PMMA lens vandal proof Includes robust lockable stainless steel clips and extra polycarbonate heavy duty clips as option rated IP65- IK08.

Installation

Surface or Suspended Mounted



Design Application

Exterior and interior applications, car parks, industrial sites, residential outdoor, building hazardous areas and general use.



OPTIONS

Magnetic Ballast	Starter	220V	230V	240V	50Hz	60Hz	IP65	I	F	CE	Electronic Ballast	LED	Eco PC Body	Economic PC Diffuser	PC Lock Clips
------------------	---------	------	------	------	------	------	------	---	---	----	--------------------	-----	-------------	----------------------	---------------

Product Range and Reference

Model	No. of Lamps	Power	Voltage	Dimension	Source	IP Rating	Ballast	Material	Weight	Diffuser
11 801	1	18	220 - 240V	660 x 90 x 92	T8 FLOUR / LED	IP65	Magnetic / Electronic	GRP Polyester	1.6 Kg	UV Stabilized PMMA
11 804	2	18	220 - 240V	660 x 130 x 92	T8 FLOUR / LED	IP65	Magnetic / Electronic	GRP Polyester	1.69 Kg	UV Stabilized PMMA
11 802	1	36	220 - 240V	1260 x 90 x 92	T8 FLOUR / LED	IP65	Magnetic / Electronic	GRP Polyester	1.88 Kg	UV Stabilized PMMA
11 805	2	36	220 - 240V	1270 x 130 x 92	T8 FLOUR / LED	IP65	Magnetic / Electronic	GRP Polyester	2.9 Kg	UV Stabilized PMMA
11 803	1	58	220 - 240V	1560 x 90 x 92	T8 FLOUR / LED	IP65	Magnetic / Electronic	GRP Polyester	2.1 Kg	UV Stabilized PMMA
11 806	2	58	220 - 240V	1560 x 135 x 92	T8 FLOUR / LED	IP65	Magnetic / Electronic	GRP Polyester	3.6 Kg	UV Stabilized PMMA

HALO SPOT SERIES

Spot light - ceiling

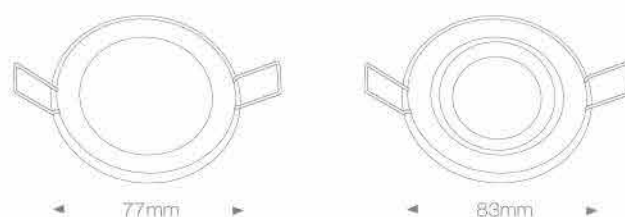
Product Description

Housing

High quality steel with anti rust treatment, light weight and durable.

Diffuser

MR16 or GU10 holder in ceramic material to ensure maximum safety.



12V	220V	230V	240V	50Hz	60Hz	IP20	I	F	CE	MR16	LED	HALO	Options	Fixed Direction	Adjustable Direction
-----	------	------	------	------	------	------	---	---	----	------	-----	------	---------	-----------------	----------------------

Product Range and Reference

Model	Colour	DIA	Cutout	Directional	Base	IP Rating	Material
16 001	White	83mm	65mm	Yes	Gu10/Mr16	IP20	Steel
16 002	Bronze	83mm	65mm	Yes	Gu10/Mr16	IP20	Steel
16 003	Gold	83mm	65mm	Yes	Gu10/Mr16	IP20	Steel
16 004	Stain nickel	83mm	65mm	Yes	Gu10/Mr16	IP20	Steel
16 005	Chrome	83mm	65mm	Yes	Gu10/Mr16	IP20	Steel
16 051	White	77mm	65mm	No	Gu10/Mr16	IP20	Steel
16 052	Chrome	77mm	65mm	No	Gu10/Mr16	IP20	Steel
16 053	Gold	77mm	65mm	No	Gu10/Mr16	IP20	Steel
16 054	Satin nickel	77mm	65mm	No	Gu10/Mr16	IP20	Steel



Pendants

AUSTRAL SERIES

Pendant

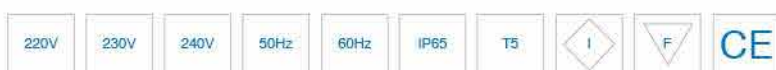
Product Description

Installation: Through pole and street light pipe bracket, or wall pipe bracket.



Design Application

Residential, retails, hotels, restaurants, offices, and commercial areas.



Product Range and Reference

Model	No. of Lamps	Power	Voltage	Colour	Dimension	Source	IP Grade	Material
16 300	1	60W	220x240 V	Chrome	450 Ø	E27 LED or CFL	IP20	Steel

MAG SERIES

Pendant

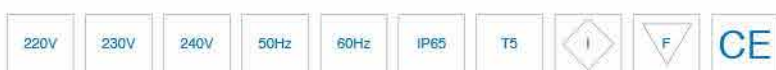
Product Description

Installation: Through pole and street light pipe bracket, or wall pipe bracket.



Design Application

Residential, retail, hotels, restaurants, offices, and commercial areas.



Product Range and Reference

Model	No. of Lamps	Power	Voltage	Colour	Dimension	Source	IP Grade	Material
16.310	1	60W	220x240 V	Chrome / Gold	480 x 440	E27 LED or CFL	IP20	Fiber

FLOAT SERIES

Pendant

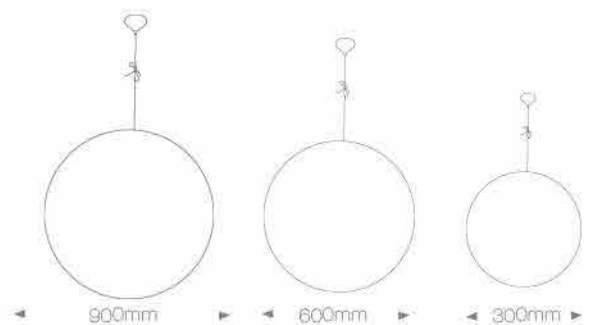
Product Description

Installation: Through pole and street light pipe bracket, or wall pipe bracket.



Design Application

Residential, retail, hotels, restaurants, offices, and commercial areas.



OPTIONS

220V	230V	240V	50Hz	60Hz	IP65	T5	I	F	CE	300 MM	600 MM	900 MM
------	------	------	------	------	------	----	---	---	----	--------	--------	--------

Product Range and Reference

Model	No. of Lamps	Power	Voltage	Colour	Dimension	Source	IP Grade	Material
16 325	1	60W	220x240V	Beige / Brown / White / Black	300/600/900	E27 LED or CFL	IP20	Fiber

PRECIOSA SERIES

Pendant

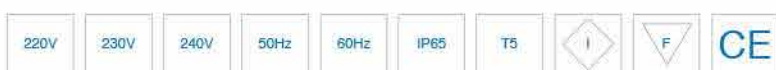
Product Description

Installation: Through pole and street light pipe bracket, or wall pipe bracket.



Design Application

Residential, retails, hotels, restaurants, offices, and commercial areas.



Product Range and Reference

Model	No. of Lamps	Power	Voltage	Colour	Dimension	Source	IP Grade	Material
16 330	6	6x60W	220x240V	White	600 Ø	E27 LED or CFL	IP20	PC + Crystal
16 331	6	6x60W	220x240V	White	900 x 200	E27 LED or CFL	IP20	PC + Crystal



CFL 3U SERIES

E27/E40 compact fluorescent lamp

Product Description

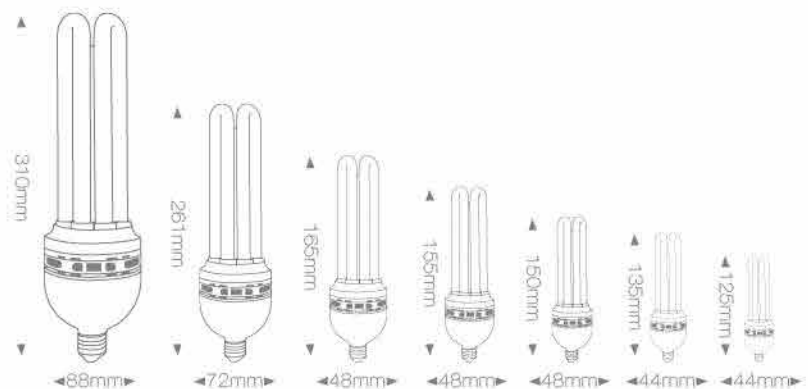
CFL lamps with screw bases are the perfect replacement for standard incandescent lamps.

CFL lamps saves upto 80% electricity and average life time is 8000 - 10000 hours.



Design Application

Replacement for incandescent and halogen lamps.



Product Range and Reference

Model	Power	Voltage	CRI	Luminous Flux	Dimension	Colour Temp.	Diminable	Base	Material
26 001	11W	220-240V	>70	588lm	125x44	6000K-6500K	N	E27	PA + Glass
26 002	15W	220-240V	>70	812lm	135x44	6000K-6500K	N	E27	PA + Glass
26 003	18W	220-240V	>70	988lm	150x48	6000K-6500K	N	E27	PA + Glass
26 004	20W	220-240V	>70	1080lm	155x48	6000K-6500K	N	E27	PA + Glass
26 005	23W	220-240V	>70	1310lm	165x48	6000K-6500K	N	E27	PA + Glass
26 006	65W	220-240V	>70	3450lm	261x72	6000K-6500K	N	E27	PA + Glass
26 007	65W	220-240V	>70	3450lm	272x72	6000K-6500K	N	E40	PA + Glass
26 008	85W	220-240V	>70	4200lm	310x88	6000K-6500K	N	E27	PA + Glass
26 009	85W	220-240V	>70	4200lm	325x88	6000K-6500K	N	E40	PA + Glass

CFL SPIRAL SERIES

E27 compact fluorescent lamp

Product Description

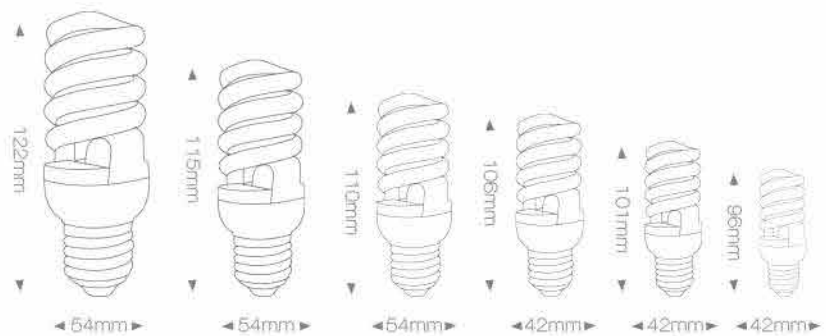
CFL lamps with screw bases are the perfect replacement for standard incandescent lamps.

CFL lamps saves upto 80% electricity and average life time is 8000 - 10000 hours.



Design Application

Replacement for incandescent and halogen lamps.



Product Range and Reference

Model	Power	Voltage	CRf	Luminous Flux	Dimension	Colour Temp.	Dimmable	Base	Material
26 101	9W	220-240V	>70	500lm	96x42	6000K-6500K	N	E27	PA + Glass
26 102	11W	220-240V	>70	600lm	101x42	6000K-6500K	N	E27	PA + Glass
26 103	13W	220-240V	>70	670lm	106x42	6000K-6500K	N	E27	PA + Glass
26 104	18W	220-240V	>70	1000lm	110x54	6000K-6500K	N	E27	PA + Glass
26 105	22W	220-240V	>70	1230lm	115x54	6000K-6500K	N	E27	PA + Glass
26 106	25W	220-240V	>70	1395lm	122x54	6000K-6500K	N	E27	PA + Glass

FLOURESCENT SERIES

T8/T5 Fluorescent tube

Product Description

Flourescent tubes with high luminous efficiency, long life time energy saving, low pressure gas discharge.



Design Application

Standard T8 / T5 luminair and fittings.



Product Range and Reference

Model	Power	Voltage	CRI	Luminous Flux	Dimension	Colour Temp.	Dimmable	Base	Material
27 701	18W	220-240V	>80	1300lm	590x26	6000K-6500K	N	T8	Glass
27 702	36W	220-240V	>80	3250lm	590x26	6000K-6500K	N	T8	Glass
27 703	58W	220-240V	>80	5220lm	590x26	6000K-6500K	N	T8	Glass
27 711	8W	220-240V	>80	736lm	590x26	6000K-6500K	N	T5	Glass
27 712	14W	220-240V	>80	1288lm	590x26	6000K-6500K	N	T5	Glass
27 713	21W	220-240V	>80	1932lm	590x26	6000K-6500K	N	T5	Glass
27 714	28W	220-240V	>80	2576lm	590x26	6000K-6500K	N	T5	Glass
27 715	24W	220-240V	>80	2208lm	590x26	6000K-6500K	N	T5	Glass

PL SERIES

2 pin & 4 pin compact fluorescent lamp

Product Description

CFL lamps with screw bases are the perfect replacement for standard incandescent lamps.

CFL lamps saves upto 80% electricity and average life time is 8000 - 10000 hours.



Design Application

Standard 2 pin & 4 pin luminair and fittings.



Product Range and Reference

Model	Power	Voltage	CRf	Luminous Flux	Dimension	Colour Temp.	Dimmable	Base	Material
26 208	13W	91V	>80-89	855lm	140.5x12	6000K-6500K	N	G-24d-1	PA + Glass
26 209	18W	91V	>80-89	1188lm	153x12	6000K-6500K	N	G-24d-2	PA + Glass
26 210	26W	91V	>80-89	1716lm	170x13	6000K-6500K	N	G-24d-3	PA + Glass
26 205	13W	91V	>80-89	855lm	140.5x12	6000K-6500K	N	G-24q-1	PA + Glass
26 206	18W	91V	>80-89	1188lm	153x12	6000K-6500K	N	G-24q-2	PA + Glass
26 207	26W	91V	>80-89	1716lm	170x13	6000K-6500K	N	G-24q-3	PA + Glass

PLL SERIES

4 pin compact fluorescent lamp

Product Description

CFL lamps with screw bases are the perfect replacement for standard incandescent lamps.

CFL lamps saves upto 80% electricity and average life time is 8000 - 10000 hours.



Design Application

Standard 4 pin luminaire and fittings.



Product Range and Reference

Model	Power	Voltage	CRI	Luminous Flux	Dimension	Colour Temp.	Dimmable	Base	Material
26.201	18W	57V	>80-89	1050lm	217x17.5	6000K-6500K	N	2G11	PA + Glass
26.202	24W	57V	>80-89	1550lm	317x17.5	6000K-6500K	N	2G11	PA + Glass
26.203	36W	57V	>80-89	2400lm	411x17.5	6000K-6500K	N	2G11	PA + Glass
26.204	55W	57V	>80-89	3600lm	533x17.5	6000K-6500K	N	2G11	PA + Glass

HALO SERIES

Double ended halogen lamp

Product Description

Standard halogen lamps with double sided R7s base.

Lower thermal output

No transformer required

Low CO₂ emissions

Rated lamp life time is 2000 hours.



Design Application

Standard halogen luminair and fittings.



50Hz

60Hz

IP20

CE

Product Range and Reference

Model	Power	Voltage	Luminous Flux	Dimension	Colour Temp.	Dimmable	Base	Material
27 501	100W	220-240V	2200lm	119.6x12	2700K	Y	R7s	Glass
27 502	200W	220-240V	3800lm	119.6x12	2700K	Y	R7s	Glass
27 503	300W	220-240V	5400lm	119.6x12	2700K	Y	R7s	Glass
27 504	500W	220-240V	9000lm	119.6x12	2700K	Y	R7s	Glass
27 505	1000W	220-240V	18000lm	191.1x12	2700K	Y	R7s	Glass
27 506	1500W	220-240V	27000lm	256.1x12	2700K	Y	R7s	Glass
27 507	2000W	220-240V	36000lm	333.0x12	2700K	Y	R7s	Glass
27 508	100W	220-240V	2200lm	80.3x12	2700K	Y	R7s	Glass
27 509	200W	220-240V	3800lm	80.3x12	2700K	Y	R7s	Glass

HALOSPOT SERIES

Halogen dichroic reflector lamps

Product Description

Standard halogen lamps with parabolic reflector

Lower thermal output

Option for direct 220-240V or 12V transformer powered lamp.

Low CO₂ emissions

Rated lamp life time for direct lamp is 2000 hours.

Rated lamp life time for 12V lamp is 5000 hours.



Design Application

Standard halogen luminair, fittings and spot light.



Product Range and Reference

Model	Power	Voltage	Luminous Flux	Dimension	Colour Temp.	Dimmable	Beam Angle	Base	Material
27 001	50W	220-240V	400lm	51x53	2700K	Y	30°	GU10	Glass
27 002	35W	220-240V	200lm	51x53	2700K	Y	30°	GU10	Glass
27 051	35W	12V	290lm	50.7x46	2700K	Y	36°	GX5.3	Glass
27 052	50W	12V	160lm	50.7x46	2700K	Y	36°	GX5.3	Glass
27 053	50W	220-240V	600lm	50.7x46	2700K	Y	30°	GU5.3	Glass
27 054	35W	220-240V	400lm	50.7x46	2700K	Y	30°	GU5.3	Glass

HALOMINI SERIES

G9 & G4 halogen bulbs

Product Description

Standard halogen lamps with miniature dimension for modern luminair designs:

Lower thermal output

Option for direct 220-240V or 12V transformer powered lamp.

Low CO2 emissions

Rated lamp life time for direct lamp is 2000 hours.

Rated lamp life time for 12V lamp is 5000 hours.



Design Application

Standard halogen luminair, fittings and spot light.



Product Range and Reference

Model	Power	Voltage	Luminous Flux	Dimension	Colour Temp.	Dimmable	Base	Material
27 081	50W	220-240V	600lm	43x14	2700K	Y	G9	Glass
27 082	35W	220-240V	330lm	43x14	2700K	Y	G9	Glass
27 083	10W	12V	120lm	33x10	2700K	Y	G4	Glass
27 084	20W	12V	320lm	33x10	2700K	Y	G4	Glass
27 085	30W	12V	480lm	33x10	2700K	Y	G4	Glass
27 091	50W	12V	600lm	111x58	2700K	Y	G54-AR111	Aluminium

ELECTRONIC BALLAST & EMERGENCY KIT

For T8 Fluorescent Lamps.

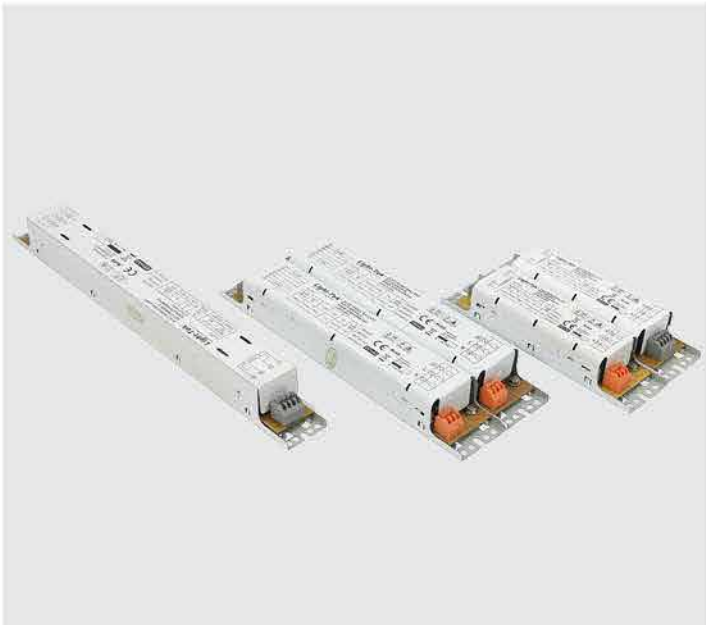
Product Description

Life span of 50000 hours

Quick start and no flickering

Emergency battery pack with 3 hours standby time

Emergency converter & signal lamp included with emergency kit.



Design Application

Any T8 Fluorescent light fixture.

220V

230V

240V

50Hz

60Hz

IP20

CE

Product Range and Reference

Model	Power	Voltage	Battery Standby Time	Dimmable	Base	Material
24_201	1x18W	220-240V	-	N	T8	Aluminium
24_202	2x18W	220-240V	-	N	T8	Aluminium
24_203	1x36W	220-240V	-	N	T8	Aluminium
24_204	2x36W	220-240V	-	N	T8	Aluminium
24_205	1x58W	220-240V	-	N	T8	Aluminium
24_301	18-58W	220-240V	3 hours	N	T8	Aluminium+NiCD Battery

MAGNETIC BALLAST

For T8 fluorescent lamps, MH lamps, HPS lamps & MV lamps

Product Description

Life span of 50000 hours.



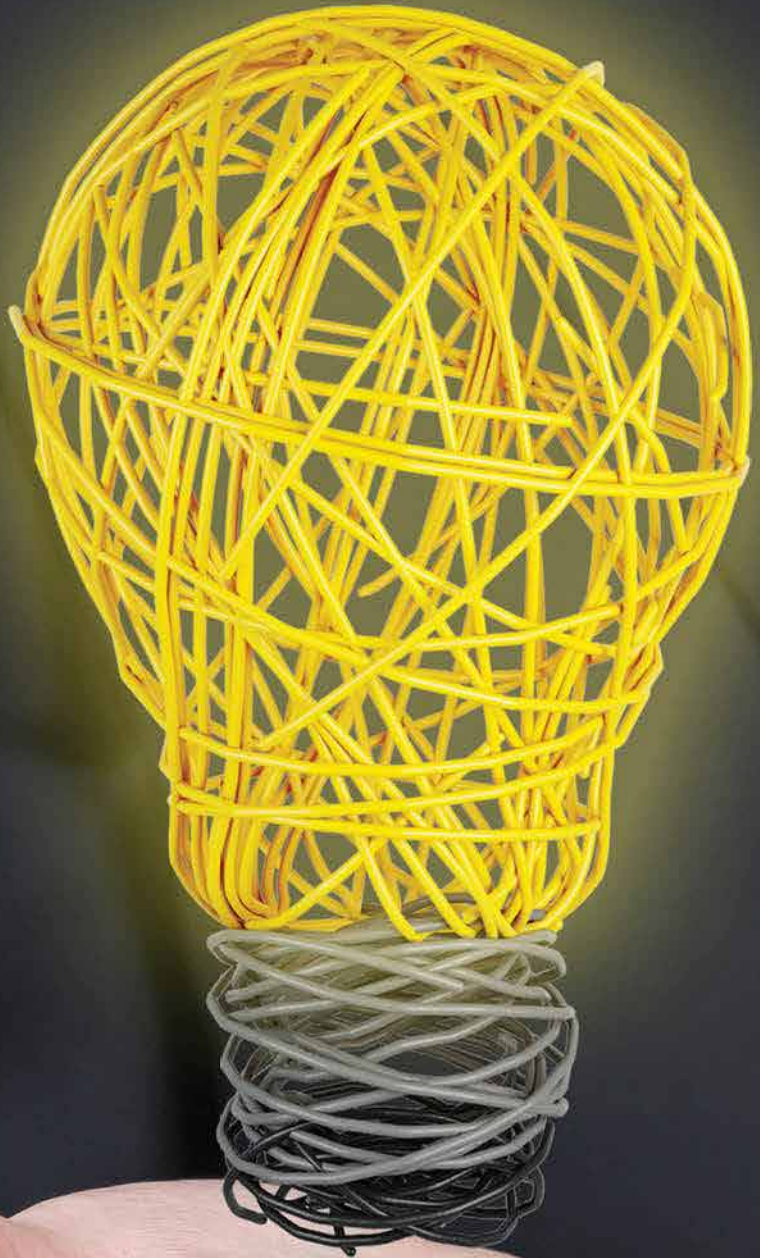
Design Application

Standard fluorescent, Sodium, Metal Halid & Mercury Vapour Lamps & Fittings.

220V 230V 240V 50Hz 60Hz IP20 CE

Product Range and Reference

Model	Power	Voltage	Lamp Type	Dimmable	Material
24 001	18W	220-240V	T8 Fluorescent	N	Steel & Copper
24 002	36W	220-240V	T8 Fluorescent	N	Steel & Copper
24 003	58W	220-240V	T8 Fluorescent	N	Steel & Copper
24 004	70W	220-240V	HPS Sodium Vapour & MH Metal Halid	N	Steel & Copper
24 005	100W	220-240V	HPS Sodium Vapour & MH Metal Halid	N	Steel & Copper
24 006	150W	220-240V	HPS Sodium Vapour & MH Metal Halid	N	Steel & Copper
24 007	250W	220-240V	HPS Sodium Vapour & MH Metal Halid	N	Steel & Copper
24 008	400W	220-240V	HPS Sodium Vapour & MH Metal Halid	N	Steel & Copper
24 009	80W	220-240V	MV Mercury Vapour	N	Steel & Copper
24 010	125W	220-240V	MV Mercury Vapour	N	Steel & Copper
24 011	250W	220-240V	MV Mercury Vapour	N	Steel & Copper
24 012	400W	220-240V	MV Mercury Vapour	N	Steel & Copper
24 013	1000W	220-240V	HPS Sodium Vapour & MH Metal Halid	N	Steel & Copper
24 014	2000W	220-240V	HPS Sodium Vapour & MH Metal Halid	N	Steel & Copper
24 015	70-400W	220-240V	HPS Sodium Vapour & MH Metal Halid	N	Steel & Copper
24 016	600-1000W	220-240V	HPS Sodium Vapour & MH Metal Halid	N	Steel & Copper
24 017	2000W	220-240V	HPS Sodium Vapour & MH Metal Halid	N	Steel & Copper



TECHNICAL DATA

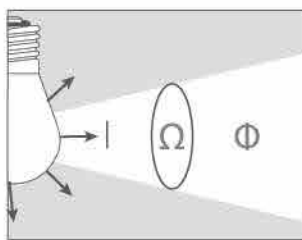
Most important lighting terms

As with any technical or scientific discipline, lighting technology has its own special terms and concepts for defining the characteristics of lamps and luminaires and for standardizing the units of measurement.

The most important of these are described here.

Luminous Flux Φ

Unit of measurement: lumen [lm]. Luminous flux Φ is all the radiated power emitted by a light source evaluated with the spectral sensitivity of the eye and the photometric radiation equivalent km.



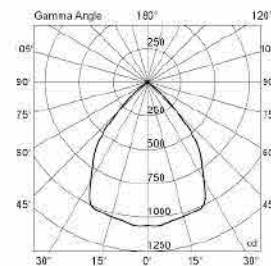
Luminous flux Φ
Luminous intensity I
is a measure of the luminous flux Ω emitted in solid angle Φ .

Light and Radiation

Light is taken to mean the electromagnetic radiation that the human eye perceives as brightness, in other words that part of the spectrum that can be seen. This is the radiation between 360 and 830 nm, a tiny fraction of the known spectrum of electromagnetic radiation.

Luminous Intensity I

Unit of measurement: candela [cd]. Generally speaking, a light source emits its luminous flux Φ in different directions and at different intensities. Luminous intensity is the luminous flux radiated in a particular direction (solid angle Ω).



Illuminance E

Unit of measurement: lux [lx]. Illuminance E is the ratio between the luminous flux and the area being illuminated.

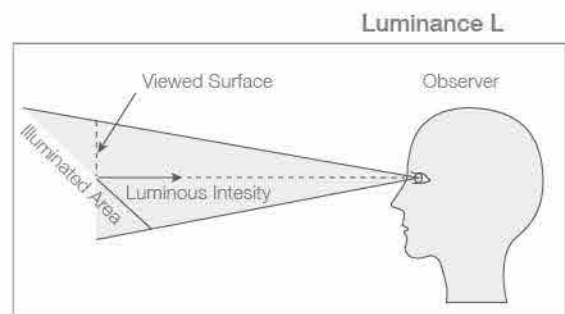
An illuminance of 1 lx occurs when a luminous flux of 1 lm is evenly distributed over an area of 1 m².



Luminance L

Unit of measurement: candela per square meter [cd/m²].

The luminance L of a light source or an illuminated area is a measure of the impression of brightness.



The Most Important Photometric Formulae:

Luminous Intensity [cd]	I	$\frac{\text{Luminous Flux}}{\text{Solid Angle } \Omega \text{ [sr]}}$	Luminance [cd/m ²]	L	$\frac{\text{Luminous Intensity [cd]}}{\text{Viewed Luminous Area [m}^2\text{]}}$
Illuminance [lx]	E	$\frac{\text{Luminous Flux falling on area [lm]}}{\text{Luminated Area [m}^2\text{]}}$	Lum. efficacy [lm/w]	η	$\frac{\text{Generated Luminous flux [lm]}}{\text{Electrical power consumed [w]}}$

Color Temperature

Unit of measurement: Kelvin [K]. The color temperature of a light source is defined by comparison with a "black body radiator" and plotted on what is known as the Planckian curve. The higher the temperature of this "black body radiator" the greater the blue component in the spectrum and the smaller the red component. A 100-watt incandescent lamp with a warm white light, for example, has a color temperature of 2700 K, whereas a daylight fluorescent lamp has a color temperature of 6000 K.

Light Color

Light color of a lamp can be neatly defined in terms of color temperature. There are three main categories here: Warm White < 3300K, Cool White 3300-5000K, Daylight > 5000K. Despite having the same light color, lamps may have very different color rendering properties owing to the spectral composition of their light.

Color Rendering

As a rule, artificial light should enable the human eye to perceive colors correctly, as it would in natural daylight. Obviously, this depends to some extent on the location and purpose for which light is required. The criterion here is the color rendering property of a light source. This is expressed as a "general color rendering index" (Ra). The color rendering index is a measure of the

correspondence between the color of an object (its "self-luminous color") and its appearance under a reference light source. To determine the Ra values, eight test colors defined in accordance with DIN 6169 are illuminated with the reference light source and the light source under test. The smaller the discrepancy, the better the color rendering property of the lamp being tested.

A light source with an Ra value of 100 displays all colors exactly as they appear under the reference light source. The lower the Ra value, the worse the colors are rendered.

Light Color

Light color of a lamp can be neatly defined in terms of color temperature. There are three main categories here: Warm White < 3300K, Cool White 3300-5000K, Daylight > 5000K. Despite having the same light color, lamps may have very different color rendering properties owing to the spectral composition of their light.

Luminous Efficacy η

Unit of measurement: lumens per watt (lm/W). Luminous efficacy η indicates the efficiency with which the electrical power consumed is converted into light.

Luminaire Efficiency

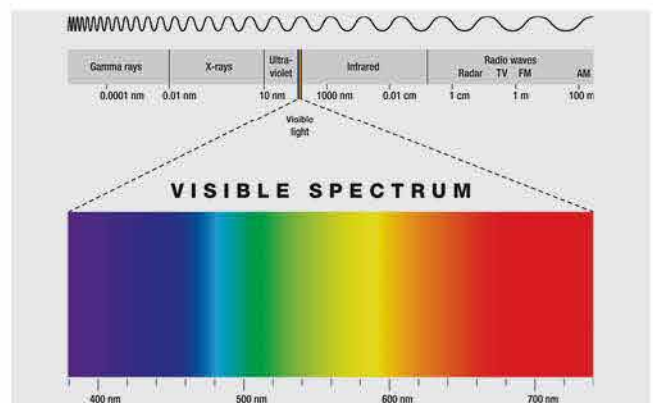
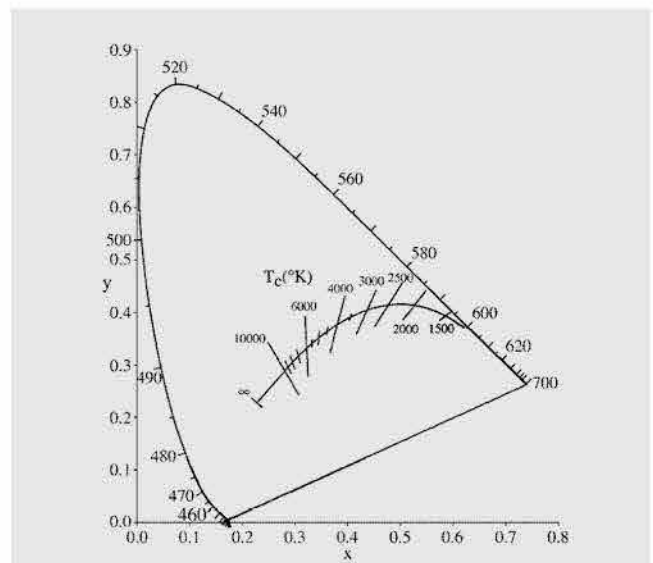
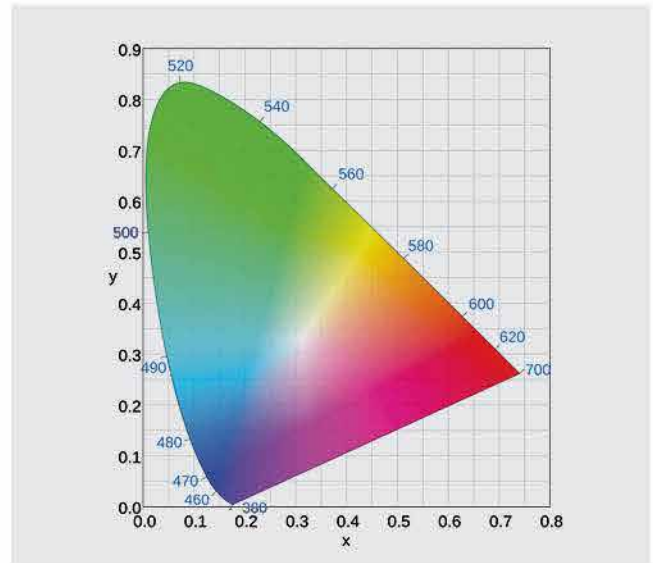
Luminaire efficiency (also known as light output ratio) is an important criterion in gauging the energy efficiency of a luminaire. This is the ratio between the luminous flux emitted by the luminaire and the luminous flux of the lamp (or lamps) installed in the luminaire. For detailed information on indoor lighting with artificial light, see DIN 5035.

Average Lamp Life

The average life of a lamp is an average of the lives of individual lamps operated under standard conditions (50% failure = average life).

Service life

Service life is a simple practical measure of the economical life of a lamp. It is the number of hours of operation after which the system luminous flux (i.e. the product of the relative luminous flux and the relative proportion of lamps still in operation) is around 80% of the initial value.



IP Rating

Luminaires are rated according to their resistance to the ingress of both liquids and solids by the code defining their Index of Protection (explained below)-often known as an "IP" Rating which you will find next to every product in this catalogue.

IP Ratings Explained

"IP" ("Ingress Protection") Rating

First Digit

Protection against ingress of foreign bodies e.g tools, dust, fingers, etc. Second Digit Protection against ingress of liquids i.e., IP44 is protection against solid object greater than 1mm and water sprayed from all directions.

Common IP Ratings

Although there are numerous combinations of IP ratings, the most ones are illustrated below as recognized symbols-together with examples of popular products. For specially IP rated luminaires you will find each product clearly marked with its IP rating.

FOREIGN BODIES First Digit		LIQUIDS Second Digit	
IP0 _x	Non-protection	IP0 _x	Non-protection
IP1 _x	Protected against solid objects greater than 50mm (e.g. accidental touch by hands)	IP1 _x	Protected against vertically falling drops of water (e.g. condensation)
IP2 _x	Protected against solid objects up to 12mm (e.g. fingers)	IP2 _x	Protected against direct sprays of water up to 15 degrees from vertical
IP3 _x	Protected against solid objects greater than 2.5mm (e.g. tools and wires)	IP3 _x	Protected against direct sprays of water up to 60 degrees from vertical
IP4 _x	Protected against solid objects greater than 1mm (e.g. small tools and wires)	IP4 _x	Protected against water sprays from all directions-limited ingress permitted
IP5 _x	Protected against dust, limited ingress (e.g. no harmful deposit)	IP5 _x	Protected against low pressure jets of water from all directions-limited ingress permitted
IP6 _x	Totally protected against dust	IP6 _x	Protected against high pressure jets of water (use on ship deck)-limited ingress permitted
		IP7 _x	Protected against the effects of immersion between 15cm and 1m
		IP8 _x	Protected against long periods of immersion under pressure



Middle East

P.O. Box : 63830, Zabeel Road
Al Sharaifi Bldg. 1, Showroom 9
Dubai, United Arab Emirates
M : +971 56 779 5915
: +971 55 707 6035
T : +971 4 396 2336
E : sales@light-tek.co.uk
W : www.light-tek.ae

Europe

Post Code: 1150-021, Avenue
Almirante Reis, Showroom 84, 84B
Lisbon, Portugal
M : +351 938 713 789
M : +351 964 445 576
T : +351 218 141 179
E : light-tek@light-tek.pt
E : export@ledworld.pt
W : www.light-tek.pt

Africa

Av. Fernão Magalhães 973
Tecnoelectrica Bldg. Maputo
Mozambique
M : +258 84 776 4767
M : +258 82 457 6270
T : +258 21 304 992/3
F : +258 21 304 994
E : info@tecnoelectrica.co.mz
W : www.tecnoelectrica-mz.com